

Supplemental Assembly Instructions

AMERIVENT® Direct Vent

DESCRIPTION AND USE - VINYL SIDING STANDOFF

AmeriVent Direct Vent is designed to be the vent and air intake system for an approved list of direct vent appliances.

AmeriVent Direct Vent materials, design, and these instructions have been evaluated and listed by Warnock Hersey.

Contact local building or fire officials about restrictions and installation inspections in your area, and obtaining building permits.

Do not install AmeriVent Direct Vent without first carefully reading the **main instructions** and the appliance manufacturer's instructions. If you still have any doubt about your ability to complete the installation in a safe manner after reading these instructions, arrange for a professional installation.

The appliance must be listed for use with American Metal Products' AmeriVent Direct Vent. Refer to the appliance manufacturer's label and installation instructions to make sure that the AmeriVent Direct Vent system is approved for use with your specific appliance.

AmeriVent Direct Vent is for use only with appliances that are certified or listed by a major qualified testing agency, such as AGA, CSA, OMNI, UL, or Warnock Hersey.

VINYL SIDING STANDOFF

AmeriVent Direct Vent Vinyl Siding Standoff provides protection for your vinyl siding when you are installing the Round Horizontal Termination Cap without fear of warping or melting the siding.

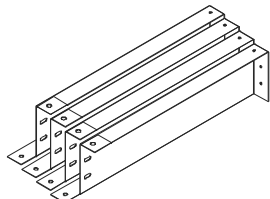
Contains:

- 4 - Siding Standoff Brackets;
- 1 - Hardware Pack (12 sheet metal screws);
- 1 - Supplemental Instruction Sheet

How to Install:

1. Secure the 4 siding standoff brackets (see Fig. 1) together with the supplied sheet metal screws, 2 per corners (see Fig. 2).

Fig. 1



NOTE: For the Round Horizontal Termination, make sure the Siding Standoff Bracket with the 3 drain holes is positioned at the bottom of the assembly (see Fig. 4).

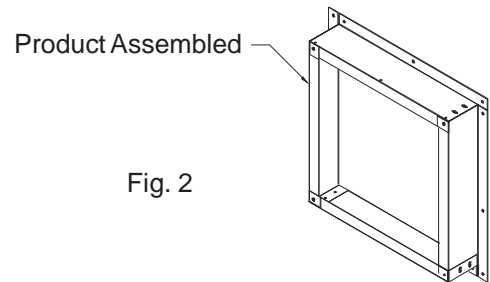


Fig. 2

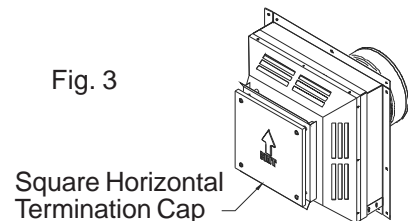
2. Secure the assembled Vinyl Siding Standoff on the wall, with suitable fasteners through the flanged edges, centered around the framed wall opening.

3. Seal around the perimeter of the Vinyl Siding Standoff using silicone to ensure a weather tight seal.

4. Position the Horizontal Termination Cap (see Fig. 3 or 4) over the Vinyl Siding Standoff. Secure in place with 4 sheet metal screws through the 4 holes provided, on the face plate of the Horizontal Termination. Make sure the arrow on the Termination is pointing up.

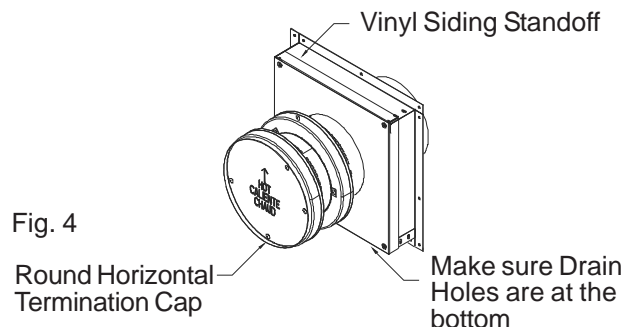
5. Continue your installation by following the main Direct Vent installation instructions.

Fig. 3



Square Horizontal Termination Cap

Fig. 4



Round Horizontal Termination Cap

Make sure Drain Holes are at the bottom



American Metal Products Group
5030 Corporate Exchange Blvd. SE
Grand Rapids, MI 49512
www.americanmetalproducts.com
800-423-4270 toll-free
616-656-8400 phone
800-626-3825 toll-free fax
616-656-6388 fax