

Installation Instructions

Ameri-Tec Pro-Line Chimney Accessories and Chimney Connector

These installation instructions cover the following parts:

Ameri-Tec Single Wall Adaptor
Pro-Line Adjustable Connector
Ameri-Tec Pipe End Plate
Pro-Line Trim Sleeve

Pro-Line Round Adjustable Face Plate
Pro-Line Square Adjustable Face Plate
Pro-Line Wall Face Plate

Completing Installation of Ameri-Tec Pro-Line Adjustable Roof Support Assembly; Chimney Bottom End Termination

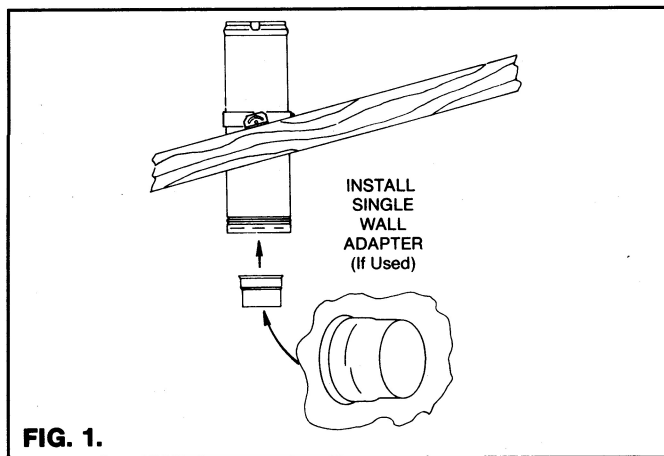
The Ameri-Tec Pro-Line Adjustable Roof Support Assembly must be installed exactly as shown in the Installation Instructions for Ameri-Tec Pro-Line Adjustable Roof Support Assembly, Catalog Nos: 6PL-ARSA and 8PL-ARSA, packaged with each support. After installation, the following Pro-Line accessories will be required to complete the Chimney Bottom End Termination:

1. One of the following:
 - A. Ameri-Tec Single Wall Adaptor, Catalog No. SWA
 - B. Pro-Line Adjustable Connector, Catalog No. PL-AC-BK
2. Ameri-Tec Pipe End Plate, Catalog No. HS-EP
3. One or more Pro-Line Trim Sleeves, Catalog No. PL-TS
4. Pro-Line Round Adjustable Face Plate, Catalog No. PL-R_PF-BK

First, determine which transition part will be used to connect the black stovepipe to the Ameri-Tec Model HS Chimney. Use either an Ameri-Tec Single Wall Adaptor or a Pro-Line Adjustable Connector. Either part can be used with single wall black stovepipe. However, if the chimney is to be connected to Ameri-Tec Double Wall Chimney Connector, Model DCC, the single wall adaptor must be used.

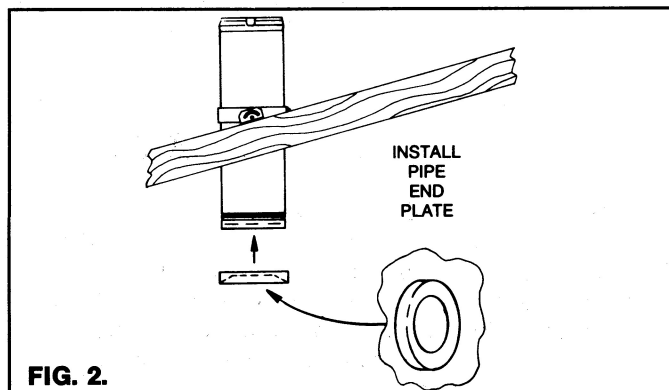
Installations Using Single Wall Adaptor

If the single wall adaptor is used, it must be installed first (prior to installing the pipe end plate). See Fig. 1. Install the expanded, flanged end over the inner wall of the chimney. If the adjustable connector is being used instead of the single wall adaptor, omit this step. (Note: The remaining figures (2 through 7) show the installation as if the single wall adaptor was **not** used and an adjustable connector was used instead.)



Install the Pipe End Plate

See Fig. 2. Place pipe end plate over bottom of chimney as shown. **IMPORTANT: PUSH PIPE END PLATE COMPLETELY UP AND ONTO THE CHIMNEY OUTER WALL.** The inner wall of the chimney should protrude through the inner lip of the pipe end plate (or protrude into the single wall adaptor, if used).



Install One or More Trim Sleeves

See Fig. 3. Add one or more trim sleeves over the pipe end plate and outer wall of the chimney. Trim sleeves should completely cover the chimney below ceiling line. Cut uppermost trim sleeve to length if necessary. Steep pitch installations will require that the top of the uppermost trim sleeve be cut at an angle.

Align the bottom of the lowest trim sleeve so that it is even with the bottom face of the pipe end plate. Recheck to see that the pipe end plate is pushed up completely onto the chimney section. Using the three holes in the bottom end of the trim sleeve as a guide, drill three 1/8 in. diameter holes through the pipe end plate and into the outer wall of the chimney.

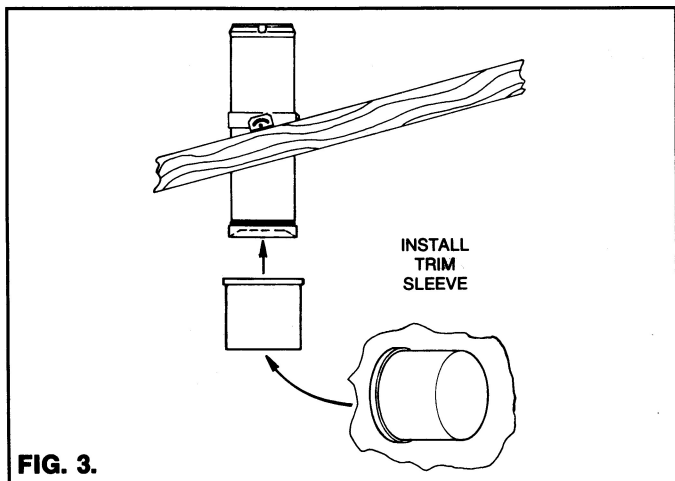


FIG. 3.

Each trim sleeve contains a package of three screws. Install these three screws through the bottom end of the lowest trim sleeve as shown in Fig. 4. (Any additional trim sleeves above the lowest trim sleeve do not require screws at each joint).

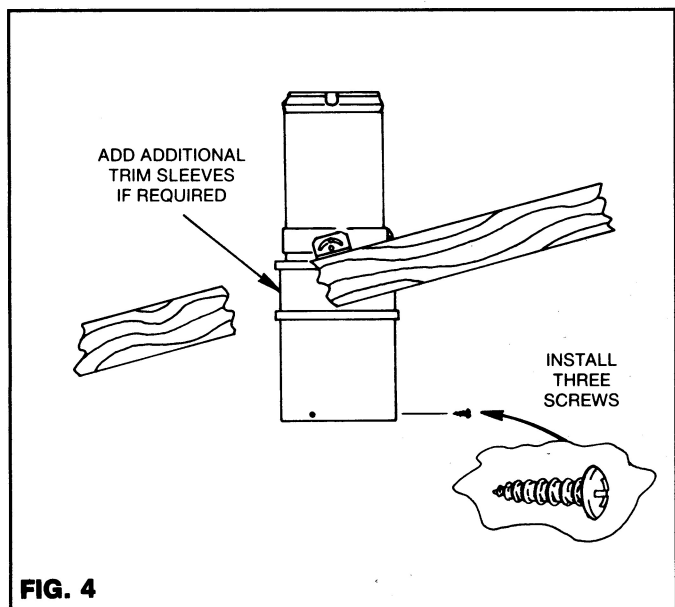


FIG. 4

Install the Adjustable Connector

Install the adjustable connector as shown in Fig. 5. (Omit this step if the single wall adaptor was installed previously.) Push the adjustable connector upward into the pipe end plate until the four uppermost teeth snap into place. Check to see that all four teeth are engaged in the lip of the pipe end plate.

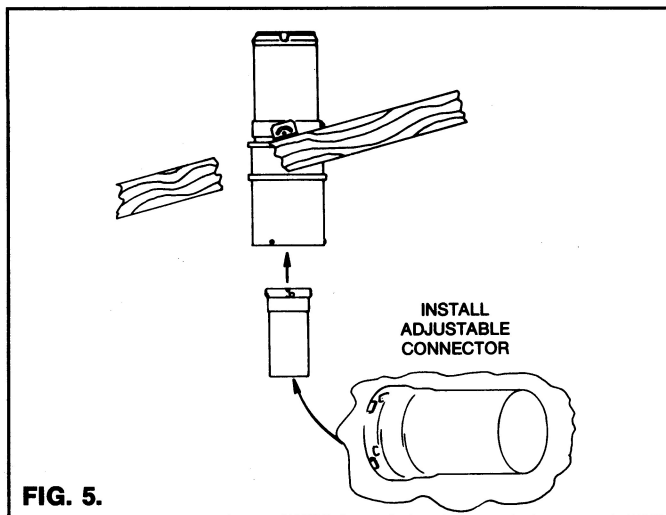


FIG. 5.

Install the Round Adjustable Face Plate

The round adjustable face plate consists of two U-shaped halves. To accommodate steep pitch ceilings the curved edges of the PL-R12FP-BK need to be trimmed. (Fig. 6.) The amount of trimming required will depend upon the steepness of the ceiling pitch. Construct a template and test-measure the fit prior to trimming the face plate inner edges. (The face plate carton may be used as template material.)

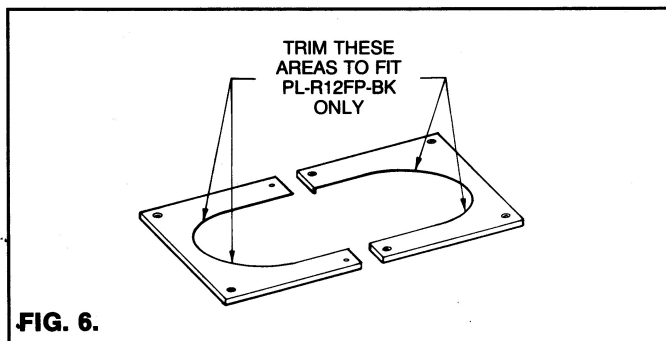


FIG. 6.

Overlap and mount the two face plate halves to the ceiling as shown in Fig. 7. The six countersunk holes require the use of the six screws which are tapered on the underside of the screw head. Install these six screws first. The remaining two screws fit into the two flat holes. Using the two flat holes as a guide, drill two 1/8 in. diameter holes through the face plate material directly beneath these two holes. Install the remaining two screws.

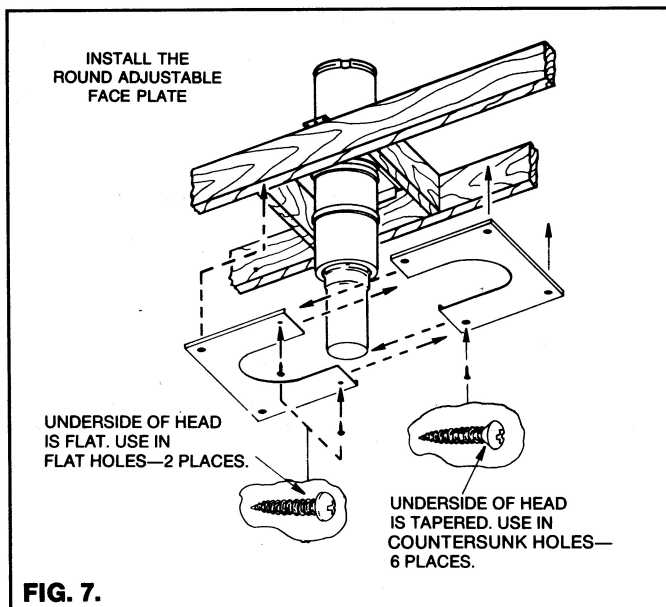


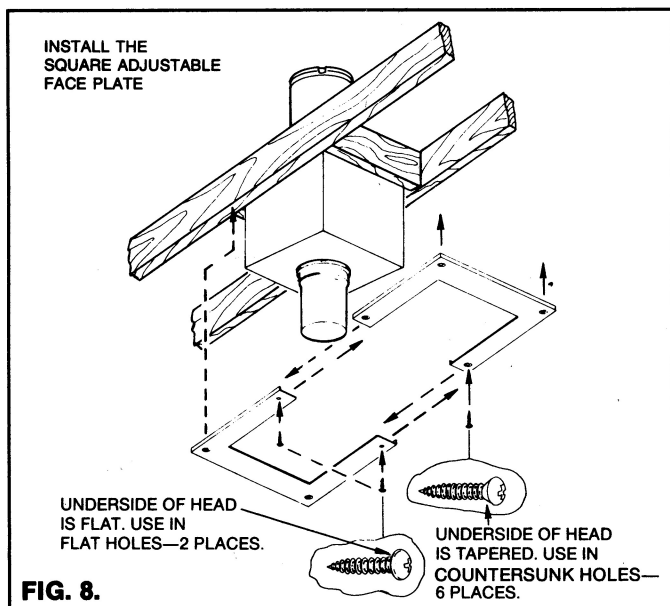
FIG. 7.

Completing Installation of Ameri-Tec Pro-Line Roof Support

The Ameri-Tec Pro-Line Roof Support must be installed exactly as shown in the Installation Instructions for Ameri-Tec Pro-Line Roof Support, Catalog Nos: 6PL-RS12, 6PL-RS24, 8PL-RS12, and 8PL-RS24, packaged with each support. After the roof support has been installed, the installation can be completed using the Pro-Line Square Adjustable Face Plate.

Install the Square Adjustable Face Plate

The square adjustable face plate consists of two U-shaped halves. Overlap and mount the two face plate halves to the ceiling as shown in Fig. 8. The six countersunk holes require the use of the six screws which are tapered on the underside of the screw head. Install these six screws first. The remaining two screws fit into the two flat holes. Using the two flat holes as a guide, drill two 1/8 in. diameter holes through the face plate material directly beneath these two holes. Install the remaining two screws.



Completing Installation of Ameri-Tec Through-The-Wall Tee

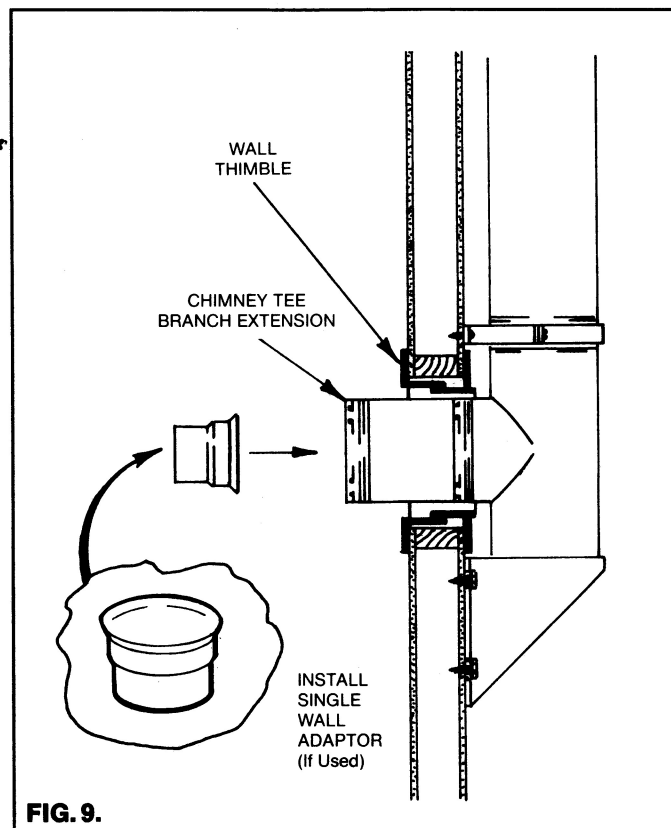
The Ameri-Tec Through-The-Wall Tee must be installed exactly as shown in the Installation and Maintenance Instructions for Ameri-Tec Model HS Factory Built Chimney, Section C, titled: Through The Wall Installation, except for the paragraph covering installation of the pipe end plate and single wall adaptor. These instructions are packaged with the Ameri-Tec Tee Wall Support, Catalog Nos: 6HS-WS and 8HS-WS. After installation, the following Pro-Line accessories will be required to complete the termination of the chimney tee branch.

- One of the following:
 - Ameri-Tec Single Wall Adaptor, Catalog No. SWA or
 - Pro-Line Adjustable Connector, Catalog No. PL-AC-BK
- Ameri-Tec Pipe End Plate, Catalog No. HS-EP
- One or more Pro-Line Trim Sleeves, Catalog No. PL-TS
- Pro-Line Wall Face Plate, Catalog No. PL-WFP

First, determine which transition part will be used to connect the black stovepipe to the Ameri-Tec Model HS Chimney Tee branch extension. Use either an Ameri-Tec Single Wall Adaptor or a Pro-Line Adjustable Connector. Either part can be used with single wall black stovepipe. However, if the chimney is to be connected to Ameri-Tec Double Wall Chimney Connector, Model DCC, the single wall adaptor must be used.

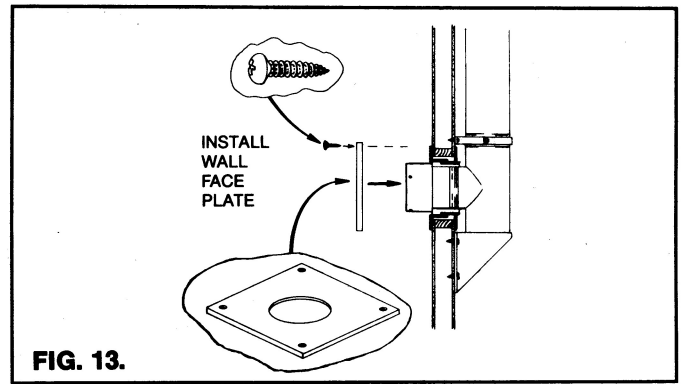
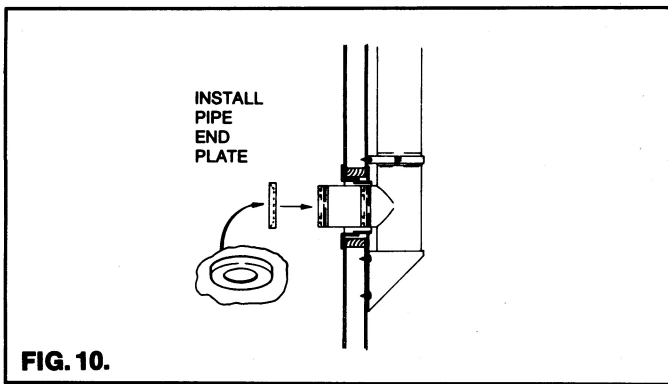
Installations Using Single Wall Adaptor

If the single wall adaptor is used, it must be installed first (prior to installing the pipe end plate). See Fig. 9. Install the expanded, flanged end over the inner wall of the chimney tee branch extension. If the adjustable connector is being used instead of the single wall adaptor, omit this step. (Note: The remaining figures (10 through 15) show the installation as if the single wall adaptor was **not** used and an adjustable connector was used instead.)



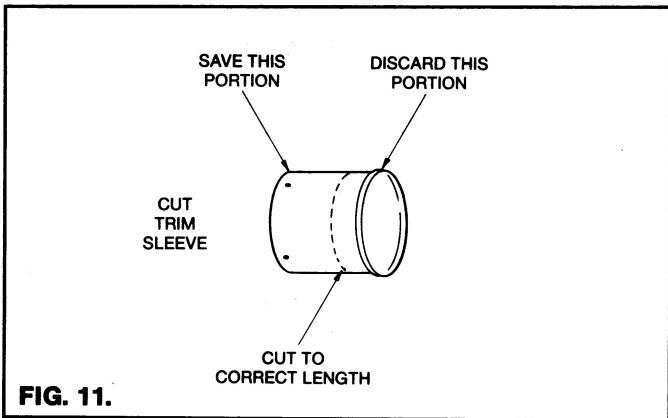
Install the Pipe End Plate

See Fig. 10. Place pipe end plate over the chimney tee branch extension as shown. **IMPORTANT: PUSH PIPE END PLATE COMPLETELY OVER AND ONTO THE CHIMNEY OUTER WALL.** The inner wall of the chimney tee branch extension should protrude through the inner lip of the pipe end plate (or protrude into the single wall adaptor, if used).



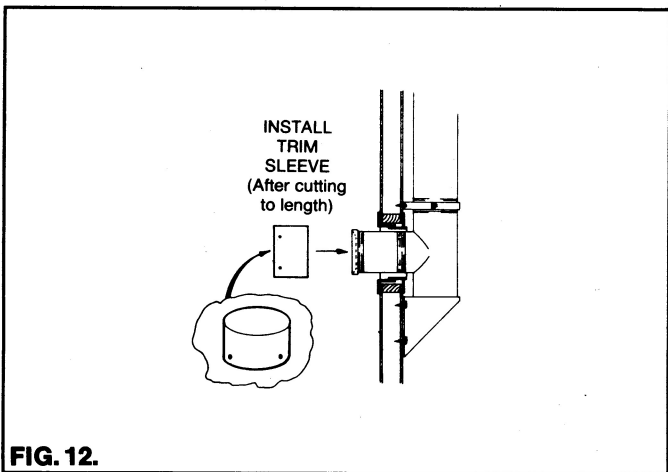
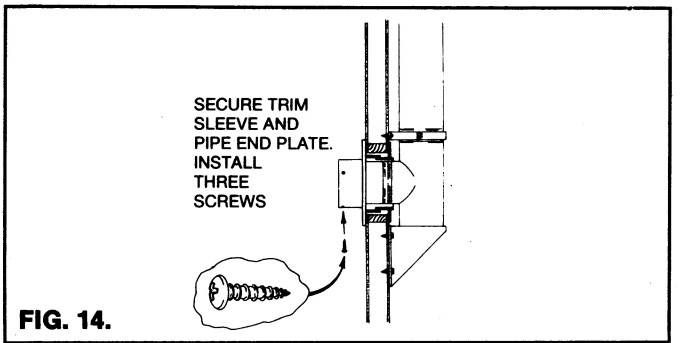
Install One or More Trim Sleeves

See Fig. 11. Cut the trim sleeve to length so that it will contact the recessed face of the wall thimble and extend flush with the end of the pipe end plate. Add an additional trim sleeve if the chimney tee branch extension extends more than 10 inches past the face of the wall thimble. Place the trim sleeve(s) over the chimney tee branch extension as shown in Fig. 12. Do not install the screws at this time.



Secure the Trim Sleeve and Pipe End Plate

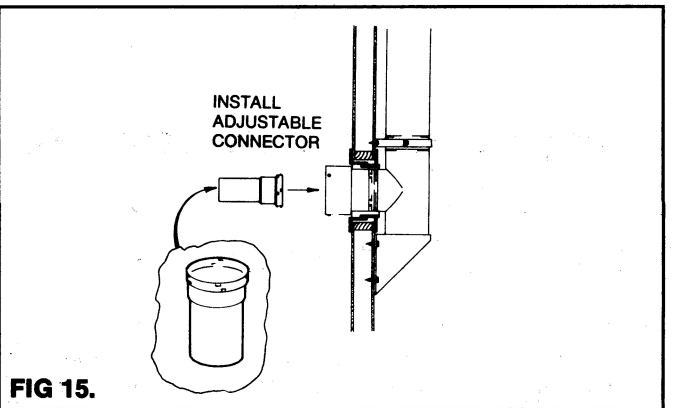
See Fig. 14. Recheck to see that the pipe end plate is pushed completely onto the chimney tee branch extension. The end of the trim sleeve should be even with the face of the pipe end plate. Using the three holes in the end of the trim sleeve as a guide, drill three 1/8 in. diameter holes through the pipe end plate and into the outer wall of the chimney tee branch extension.



Each trim sleeve contains a package of three screws. Install these three screws through the three holes in the end of the trim sleeve as shown in Fig. 14. (If an additional trim sleeve was used, it is not necessary to secure the joint between the two trim sleeves with screws.)

Install the Adjustable Connector

Install the adjustable connector as shown in Fig. 15. (Omit this step if the single wall adaptor was installed previously.) Push the adjustable connector into the pipe end plate until the four uppermost teeth snap into place. Check to see that all four teeth are engaged in the lip of the pipe end plate.



Install the Wall Face Plate

See Fig. 13. Place the wall face plate over the trim sleeve and against the wall surface. Using the four holes in the face plate as a guide, drill four 1/8 in. diameter holes through the wall thimble flange. Mount the face plate to the wall using the four screws provided.



American Metal Products
A Masco Company

8601 Hacks Cross Road, Olive Branch, MS 38654 • (800)423-4270 • Fax: (800)626-3825
Technical Information: (800)669-3190