



Ultimate Plus™

6"-8" All-Fuel Chimney

10" Chimney for Factory-Built Fireplaces

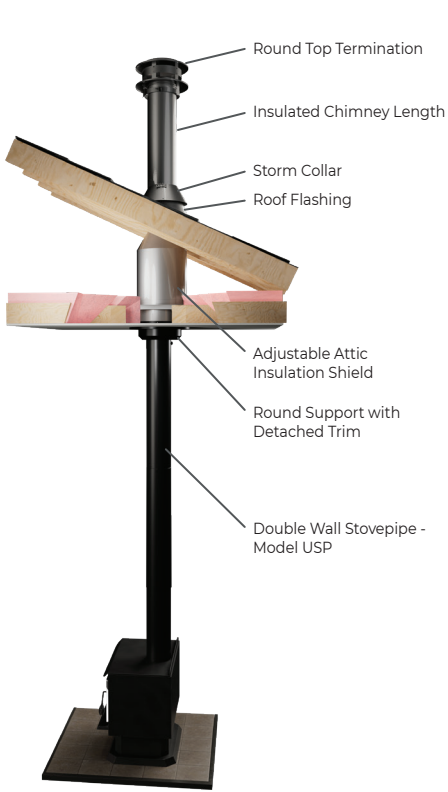
US and CANADA



TABLE OF CONTENTS

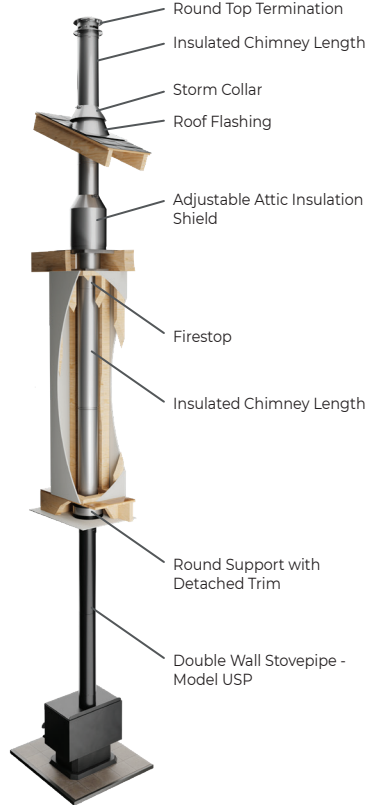
Installation Information	4
6"-8" All-Fuel Chimney Features	5
Lengths	6
Elbows.....	8
Tees	9
Supports.....	10
Shields.....	14
Specialized Components.....	15
Flashings	19
Accessories.....	21
Kits.....	24
Premium Shield Accessories.....	25
10" Chimney for Factory-Built Fireplaces	28
Lengths	29
Elbows.....	31
Supports	32
Shields.....	33
Specialized Components.....	34
Flashings.....	36
Accessories.....	37

TYPICAL INSTALLATIONS



ONE-STORY

Round Support with Detached Trim



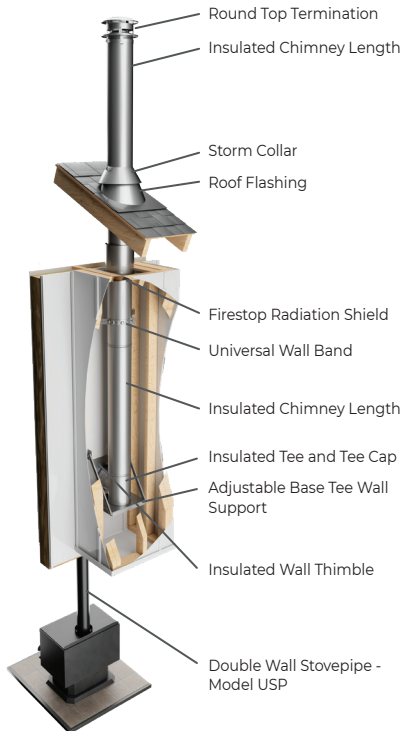
TWO-STORY

Round Support with Detached Trim
USA ONLY



ONE-STORY

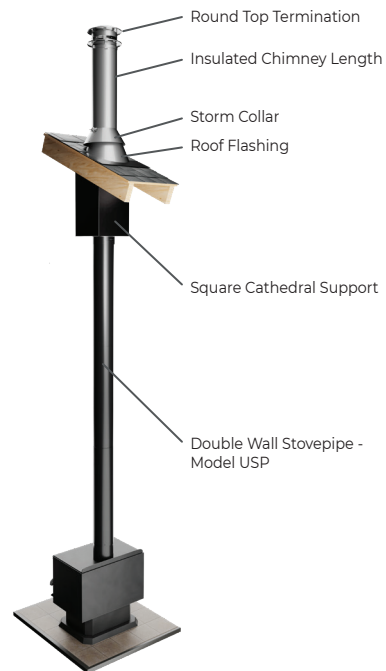
Insulated Reduced Clearance Support



THROUGH THE WALL

Adjustable Base Tee Wall Support

CANADA ONLY: For exterior enclosure, 3" clearance to insulated pipe is required.

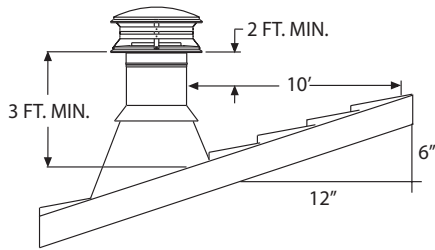


CATHEDRAL CEILING

Square Cathedral Support

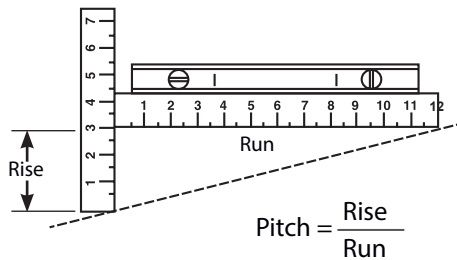
INSTALLATION INFORMATION

CHIMNEY HEIGHT



Note: The chimney must extend at least three feet above the highest point where it passes through the roof surface and at least two feet higher than any part of the building within a horizontal distance of ten feet.

ROOF PITCH



The following recommendations are a general guideline to assist in the layout and selection of the chimney components needed for your installation. Always follow UltimatePlus Installation Instructions when installing your chimney system.

- The diameter of the chimney should match the outlet size of the appliance. An improperly sized chimney results in poor draft and excessive creosote formation.
- Measure the diameter of the appliance flue outlet. Select the chimney connector stovepipe with the same size diameter as the appliance flue outlet.
- Determine if the installation is a through-the-roof installation or a through-the-wall installation. A through-the-wall installation will require additional components (such as Wall Thimble, Tee/Cap, Tee Support, Wall Bands, Flue Extension, and Decorative Collar).
- Install the chimney in the interior of the structure whenever possible. A cold exterior chimney will produce less draft, generate more creosote, and decrease the efficiency of the appliance.
- If possible avoid offsets that serve to restrict the natural draft. A straight vertical installation is more efficient and less likely to develop creosote. If an offset is required to avoid rafters or other obstructions, measure the horizontal distance required and the vertical height available. 15°, 30° and 45° elbows are available. (Note: 45° elbows are only allowed in Canada. The maximum angle allowed in the U.S. is 30°). A maximum of two offsets (four elbows) in a single installation are permitted. At least one suitable support is required for each offset.
- Determine the minimum chimney height above the roof line. Building codes require a minimum of 3' above the highest point of contact where the chimney passes through the roof and at least 2' higher than any wall, roof, or adjacent building. The termination cap is installed above that point. If the chimney extends more than 5' above the roof, a Roof Brace Kit (RBK) must be used.
- Measure the roof pitch. To determine your roof pitch, measure the number of inches from the end of a level 12" ruler down to the roof. This is the rise for 12 inches of run. For example, a 6/12 pitch has a vertical rise of 6" over a horizontal distance of 12". A rise of 5 inches is a 5/12 pitch, 4 inches is a 4/12 pitch, etc. Select the appropriate flashing.
- Determine the total length of chimney and stovepipe required for the installation. To calculate the installed length of 6"-8" Ultimate Plus chimney pipe, subtract 1 1/8" per joint and for 10" Ultimate Plus, subtract 1" per joint. Minimum chimney height, at sea level, of straight vertical chimney, is 10' to 15' above the appliance outlet. Higher elevations, or the use of elbows or a tee, will require more height to provide for an adequate draft.
- Be fire safe. Maintain at least 2" clearance to combustibles. Follow local building and installation codes and have your chimney inspected by a certified professional.
- **Note:** In Canada, for wood stove applications, a Premium Shield is required for inside installation where the chimney is enclosed between two floors (see Premium Shield accessories section). Prior to installation, consult the detailed installation manual included with the support components.

6" - 8" ALL-FUEL CHIMNEY

EXCLUSIVE TO HEARTH PROFESSIONALS

UltimatePlus offers the latest technology for hearth professionals. Factory-built design with superior performance, durability and safety.

All the components that you expect and need:

- Lengths
- Elbows
- Tees & Tee Caps
- Variety of Supports
- Factory-Insulated Supports, Wall Thimbles, & Wall Shields
- Firestops and Braces
- Anchor Plate
- Ventilated Flashings
- Chase Installation Option
- Round Top
- Premium Shield Accessories **(only in Canada)**

FEATURES

Superior Stainless Steel inner and outer for exceptional strength and corrosion resistance

Standard Option:

- 304 Stainless Steel Inner
- Satin Finish 430 Stainless Steel Outer

Premium 6" Option:

- 316 Stainless Steel Inner
- Satin Finish 304 Stainless Steel Outer

Solid-Pack Insulation: Proprietary 1", High Temperature, Solid-Pack, Mineral Wool Insulation.

Continuous-Welded outer and inner seams seal, protect and create a sleek, smooth, professional appearance.

Latch-Type Locking Band: The robust design of the UltimatePlus joint-securing system integrates a professional-grade, no tool, latch-type locking band for a quick, solid and secure installation every time! No tools required!

APPROVALS

- Listed to CAN/ULC-629 & CAN/ULC-604 in Canada
- Listed to UL103 TYPE HT in the U.S.A.
- Can be used with approved appliances listed to UL127 & CAN/ULC-610

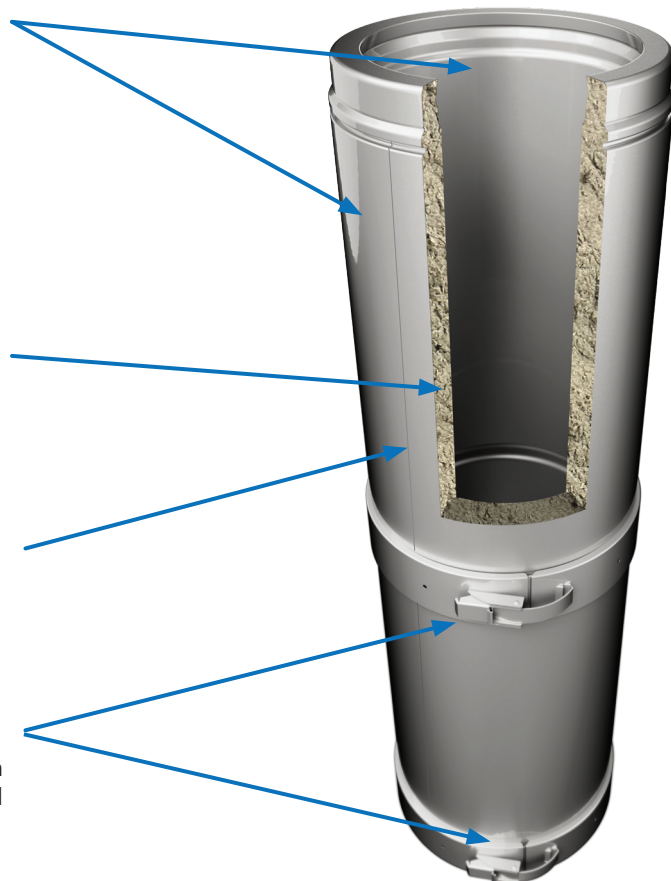
Allowable flue gas temperatures:

- Maximum continuous 1000° F (540° C) - USA
- Maximum continuous 1200° F (650° C) - Canada
- Brief forced firing 1400° F (760° C)
- Tested to 2100° F (1150° C) - 3 X 10 minutes - USA
- Tested to 2100° F (1150° C) - 3 X 30 minutes - Canada



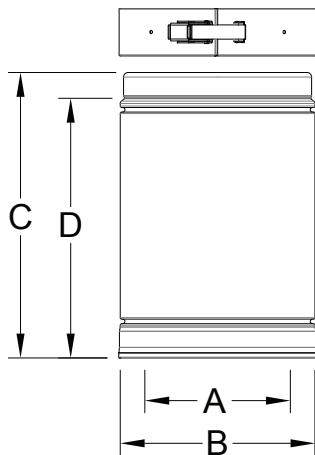
WARRANTY

Backed by the Duravent Group Limited Lifetime Warranty.



LENGTHS

CHIMNEY LENGTHS



- Double-Wall, 1-inch Insulated Chimney with Locking Band
- Chimney is sized according to the inner diameter and is available in 6", 7", and 8".
- Chimney sections are available in 8", 12", 18", 24", 36", and 48" lengths
- Sectional overlap is 1 1/8"

Note:

Standard Option is 304 stainless steel inner and 430 stainless steel outer.

Premium Option is 316 stainless steel inner and 304 stainless steel outer.

Size	Option	Product Number	Part Number	A	B	C	D	Pack
6"	Std.	0881406-3	6UP-L8-3	6"	8"	7 1/2"	6 3/8"	1
6"	Std.	0881206-3	6UP-L12-3	6"	8"	11 1/2"	10 3/8"	1
6"	Std.	0881106-3	6UP-L18-3	6"	8"	17 1/2"	16 3/8"	1
6"	Std.	0881006-3	6UP-L24-3	6"	8"	23 1/2"	22 3/8"	1
6"	Std.	0880306-3	6UP-L36-3	6"	8"	35 1/2"	34 3/8"	1
6"	Std.	0880406-3	6UP-L48-3	6"	8"	47 1/2"	46 3/8"	1
6"	Prem.	0881406-316-3	6UP-L8-316SS-3	6"	8"	7 1/2"	6 3/8"	1
6"	Prem.	0881206-316-3	6UP-L12-316SS-3	6"	8"	11 1/2"	10 3/8"	1
6"	Prem.	0881106-316-3	6UP-L18-316SS-3	6"	8"	17 1/2"	16 3/8"	1
6"	Prem.	0881006-316-3	6UP-L24-316SS-3	6"	8"	23 1/2"	22 3/8"	1
6"	Prem.	0880306-316-3	6UP-L36-316SS-3	6"	8"	35 1/2"	34 3/8"	1
6"	Prem.	0880406-316-3	6UP-L48-316SS-3	6"	8"	47 1/2"	46 3/8"	1
7"	Std.	0881407-3	7UP-L8-3	7"	9 1/4"	7 1/2"	6 3/8"	1
7"	Std.	0881207-3	7UP-L12-3	7"	9 1/4"	11 1/2"	10 3/8"	1
7"	Std.	0881107-3	7UP-L18-3	7"	9 1/4"	17 1/2"	16 3/8"	1
7"	Std.	0881007-3	7UP-L24-3	7"	9 1/4"	23 1/2"	22 3/8"	1
7"	Std.	0880307-3	7UP-L36-3	7"	9 1/4"	35 1/2"	34 3/8"	1
7"	Std.	0880407-3	7UP-L48-3	7"	9 1/4"	47 1/2"	46 3/8"	1
8"	Std.	0881408-3	8UP-L8-3	8"	10 1/4"	7 1/2"	6 3/8"	1
8"	Std.	0881208-3	8UP-L12-3	8"	10 1/4"	11 1/2"	10 3/8"	1
8"	Std.	0881108-3	8UP-L18-3	8"	10 1/4"	17 1/2"	16 3/8"	1
8"	Std.	0881008-3	8UP-L24-3	8"	10 1/4"	23 1/2"	22 3/8"	1
8"	Std.	0880308-3	8UP-L36-3	8"	10 1/4"	35 1/2"	34 3/8"	1
8"	Std.	0880408-3	8UP-L48-3	8"	10 1/4"	47 1/2"	46 3/8"	1

LENGTHS CONTINUED

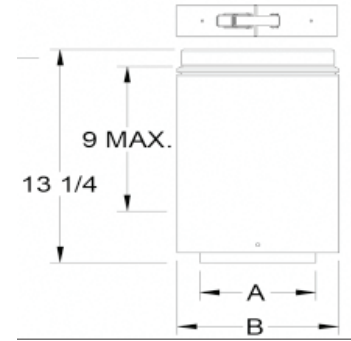
- Available in 6", 7", and 8" diameters
- Used in combination with straight insulated length
- Used to adjust the system to an exact overall length
- Used also between elbows for a required offset distance
- Supplied locking band required for use between fixed and adjustable length
- Locking Band and 4 Stainless Steel Securing Screws included
- 6" diameter inner liner also available in Premium option of 316 stainless steel interior and 304 stainless steel exterior
- Requires a minimum 3" overlap

Note: A support must be installed within 5 feet

12" ADJUSTABLE LENGTHS



Size	Option	Product Number	Part Number	A	B	C	D Min	D Max	Pack
6"	Std.	0881506-3	6UP-AL12-3	6"	8 1/8"	13 1/4"	2"	9"	1
6"	Prem.	0881506-316-3	6UP-AL12-316SS-3	6"	8 1/8"	13 1/4"	2"	9"	1
7"	Std.	0881507-3	7UP-AL12-3	7"	9 1/2"	13 1/4"	2"	9"	1
8"	Std.	0881508-3	8UP-AL12-3	8"	10 1/2"	13 1/4"	2"	9"	1

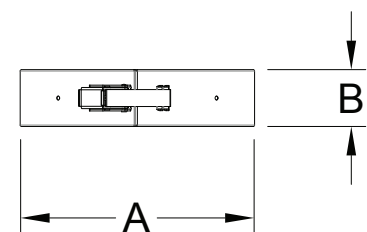


- Available in 6", 7", and 8"
- All Stainless Steel construction
- Professional-grade Latch-Type Locking Mechanism
- Simply latches to positively lock into place - No tools required!

LOCKING BAND

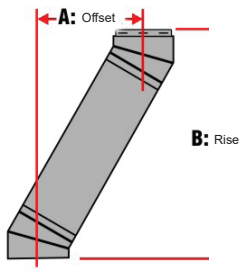


Size	Product Number	Part Number	A	B	Pack
6"	0889306	6UP-LB	8"	2"	1
7"	0889307	7UP-LB	9 1/4"	2"	1
8"	0889308	8UP-LB	10 1/4"	2"	1



ELBOWS

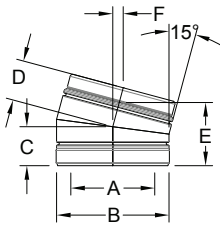
INSULATED ELBOWS



A maximum of two offsets (4 elbows in all) is allowed per chimney system. The chimney must not be inclined more than 30° from vertical in the USA and 45° in Canada. Offset charts are available to assist in determining your offset and rise.

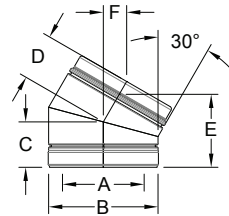
The vertical run of the chimney above an offset must be supported using the Universal Roof Support (URS) or the Universal Wall Support (UWS). All joints forming an offset must be secured with a Locking Band with the latch fastened to the farthest lance and secured with three (3) stainless steel screws (supplied).

- Available in 6", 7", and 8" diameters
- Available in 15°, 30°, and 45° (Canada only)
- Sold individually
- Used in pairs to offset chimney around obstacles such as joist or truss
- Maximum of 2 offsets is permitted
- Must be supported with Universal Roof Support or Universal Wall Support
- Can be rotated to attain optimum positioning and allow chimney to return to correct vertical alignment, prior to installing Locking Bands and screws.
- Locking Band and 3 stainless steel screws included
- 6" diameter inner liner also available in Premium option of 316 stainless steel interior and 304 stainless steel exterior



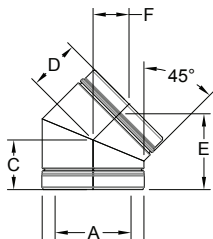
15° ELBOWS

Size	Option	Product Number	Part Number	A	B	C	D	E	F	Pack
6"	Std.	0882406-3	6UP-EL15-3	6"	8"	2 3/8"	3"	4 3/8"	1/2"	1
6"	Prem.	0882406-316-3	6UP-EL15-316SS-3	6"	8"	2 3/8"	3"	4 3/8"	1/2"	1
7"	Std.	0882407-3	7UP-EL15-3	7"	9 1/4"	2 1/2"	3 1/8"	4 5/8"	1/2"	1
8"	Std.	0882408-3	8UP-EL15-3	8"	10 1/4"	2 1/2"	3 1/8"	4 3/4"	1/2"	1



30° ELBOWS

Size	Option	Product Number	Part Number	A	B	C	D	E	F	Pack
6"	Std.	0882306-3	6UP-EL30-3	6"	8"	2 3/4"	4 1/2"	5 1/4"	1 1/8"	1
6"	Prem.	0882306-316-3	6UP-EL30-316SS-3	6"	8"	2 3/4"	4 1/2"	5 1/4"	1 1/8"	1
7"	Std.	0882307-3	7UP-EL30-3	7"	9 1/4"	3"	4 3/4"	5 1/2"	1 1/4"	1
8"	Std.	0882308-3	8UP-EL30-3	8"	10 1/4"	3 1/8"	4 7/8"	5 3/4"	1 3/8"	1



45° ELBOWS (CANADA ONLY)

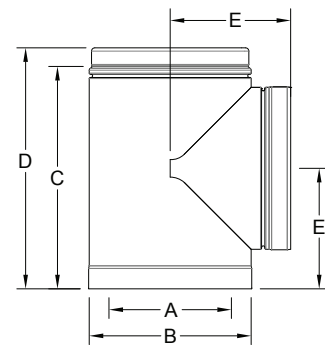
Size	Option	Product Number	Part Number	A	B	C	D	E	F	Pack
6"	Std.	0882506-3	6UP-EL45-3	6"	8"	3 3/8"	5 1/8"	5 7/8"	2"	1
6"	Prem.	0882506-316-3	6UP-EL45-316SS-3	6"	8"	3 3/8"	5 1/8"	5 7/8"	2"	1
7"	Std.	0882507-3	7UP-EL45-3	7"	9 1/4"	3 5/8"	5 3/8"	6 3/8"	2 1/4"	1
8"	Std.	0882508-3	8UP-EL45-3	8"	10 1/4"	3 7/8"	5 5/8"	6 3/4"	2 3/8"	1

TEES

- Available in 6", 7", and 8"
- Used for a through-the-wall installation with a Base Tee Wall Support or Universal Wall Support
- Insulated chimney length is attached to the tee branch using the Locking Band and Stainless Steel Screws included
- Maximum height of supported chimney determined by diameter and wall support type
- Includes Insulated Tee, Insulated Tee Cap (with Twist-Lock design) and Locking Band
- 6" diameter inner liner also available in Premium option of 316 stainless steel interior and 304 stainless steel exterior

Size	Product Number	Part Number	A	B	C	D	E	Pack
6"	0884306-3	6UP-IT-3	6"	8"	11 3/8"	12 1/2"	6 3/4"	1
6"	0882506-316-3	6UP-EL45-316SS-3	6"	8"	11 3/8"	12 1/2"	6 3/4"	1
7"	0884307-3	7UP-IT-3	7"	9 1/4"	12 1/2"	13 3/4"	6 7/8"	1
8"	0884308-3	8UP-IT-3	8"	10 1/4"	13 1/2"	14 3/4"	7 3/8"	1

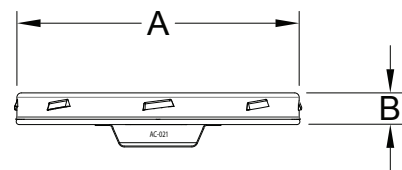
INSULATED TEE & TEE CAP



- Available in 6", 7", and 8"
- Used to close the base of an Insulated Tee
- Easily removed for chimney maintenance and inspection
- Insulated to maintain flue gas temperatures
- 6" diameter inner liner also available in 316 stainless steel

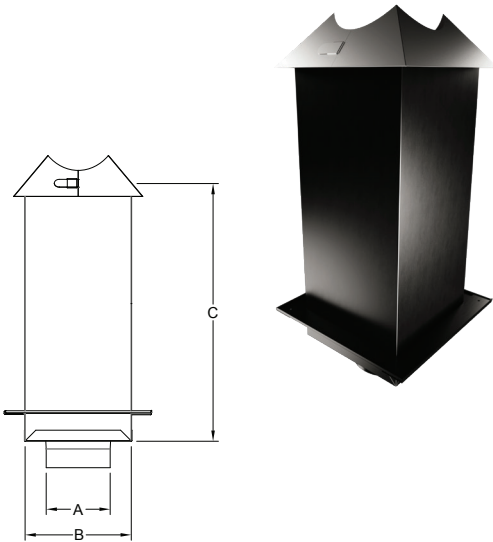
Size	Product Number	Part Number	Option	A	B	Pack
6"	0874506	6UP-ITC	Standard	7 3/4"	1 3/8"	5
6"	0874506-316	6UP-ITC-316SS	Premium	7 3/4"	1 3/8"	5
7"	0874507	7UP-ITC	Standard	9"	1 1/2"	5
8"	0874508	8UP-ITC	Standard	10"	1 3/8"	5

INSULATED TEE CAP



SUPPORTS

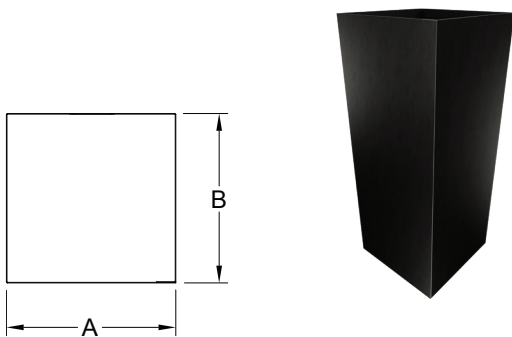
INSULATED REDUCED CLEARANCE SUPPORT



- Available in 6", 7", and 8"
- Used to support chimney with flat, vaulted, or cathedral ceiling
- Certified to reduce clearances from 2" to 1" for any portion of chimney shielded within the support box
- Reduced clearances allow for smaller opening and frame within ceiling
- Supports up to 60'
- Insulated to prevent heat loss or cold air infiltration
- Smoke Pipe Adapter, Mineral Wool Insulation Blanket, Finishing Trim, Square-to-Round Collar and Hardware Pack are included
- Adjustable from 24" up to 46" with optional Reduced Clearance Extension

Size	Product Number	Part Number	A	B	C	Pack
6"	0892406	6UP-IRCS	6"	9 7/8"	24"	1
7"	0892407	7UP-IRCS	7"	10 7/8"	24"	1
8"	0892408	8UP-IRCS	8"	11 7/8"	24"	1

INSULATED REDUCED CLEARANCE SUPPORT EXTENSION



- Available in 6", 7", and 8"
- Used to extend the height of the Insulated Reduced Clearance Support (IRCS) an additional 22"
- Metallic black finish
- Hardware pack included

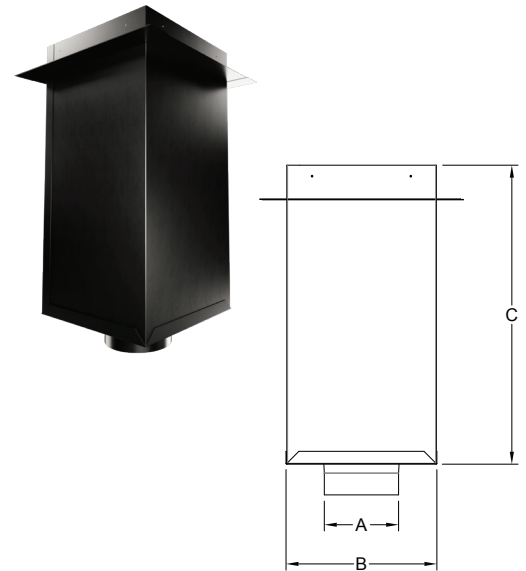
Size	Product Number	Part Number	A	B	Pack
6"	0892506	6UP-RCSE	9 7/8"	24"	1
7"	0892507	7UP-RCSE	10 7/8"	24"	1
8"	0892508	8UP-RCSE	11 7/8"	24"	1

SUPPORTS CONT'D.

- Available in 6", 7", and 8"
- Used to support chimney with flat, vaulted, or cathedral ceiling
- Supports up to 60'
- Designed for 16" on-center framing construction
- Metallic black finish
- Smoke Pipe Adapter, Finishing Trim, and Hardware Pack are included
- Adjustable from 24" up to 46" with Square Cathedral Support Extension, optional

Size	Product Number	Part Number	A	B	C	Pack
6"	0892806	6UP-SCS	6"	12 1/8"	24"	1
7"	0892807	7UP-SCS	7"	14 1/8"	24"	1
8"	0892808	8UP-SCS	8"	14 1/8"	24"	1

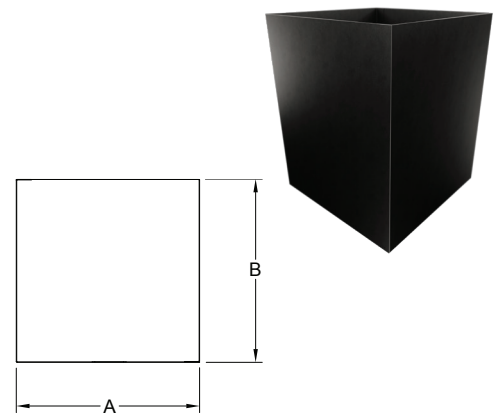
SQUARE CATHEDRAL SUPPORT



- Available in 6", 7", and 8"
- Used to extend the height of the Square Cathedral Ceiling Support an additional 22"
- Metallic black finish
- Hardware pack included

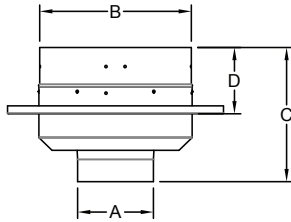
Size	Product Number	Part Number	A	B	Pack
6"	0892906	6UP-SCSE	11 7/8"	24"	1
7"	0892907	7UP-SCSE	13 7/8"	24"	1
8"	0892908	8UP-SCSE	13 7/8"	24"	1

SQUARE CATHEDRAL SUPPORT EXTENSION



SUPPORTS CONT'D.

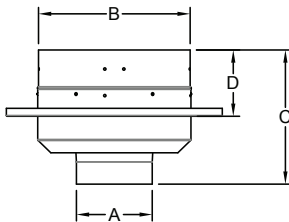
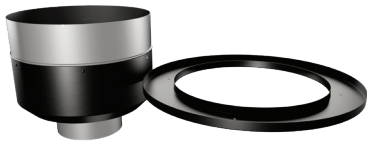
ROUND SUPPORT WITH BUILT-IN TRIM



- Available in 6", 7", and 8"
- Round Finishing Support with integrated Round Trim Collar for use on flat ceiling
- Supports up to 75'
- Metallic black finish
- Smoke Pipe Adapter and Hardware Pack are included

Size	Product Number	Part Number	A	B	C	D	Pack
6"	0894606	6UP-RFSBT	6"	12"	10 ½"	5 ½"	1
7"	0894607	7UP-RFSBT	7"	14 ⅛"	10 ½"	5 ½"	1
8"	0894608	8UP-RFSBT	8"	14 ⅛"	10 ½"	5 ½"	1

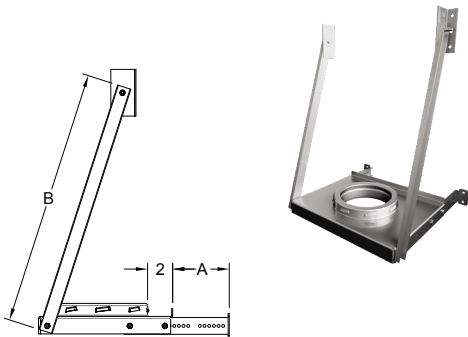
6" ROUND SUPPORT WITH DETACHED TRIM



- Available in 6" ONLY
- Round Finishing Support with removable Round Trim Collar for use on flat ceiling
- Supports up to 75'
- Metallic black finish
- Smoke Pipe Adapter and Hardware Pack are included

Size	Product Number	Part Number	A	B	C	D	Pack
6"	0894706	6UP-RFSDT	6"	12"	10 ½"	5 ½"	1

ADJUSTABLE BASE TEE WALL SUPPORT



- Available in 6", 7", and 8"
- Used to support chimney system at the base of the installation when using Insulated Tee
- Supports up to 63' of chimney (6")
- Maintains the minimum 2" clearance to wall and provides adjustability up to 4 7/8"
- Support Plate, Wall Brackets, and Hardware Pack included

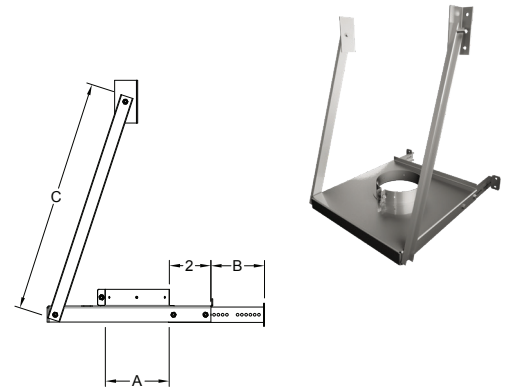
Size	Product Number	Part Number	A		B	Pack
			Min	Max		
6"	0872806	6UP-BTWS	0"	4 7/8"	26 ¾"	1
7"	0872807	7UP-BTWS	0"	4 7/8"	26 ¾"	1
8"	0872808	8UP-BTWS	0"	4 7/8"	26 ¾"	1

SUPPORTS CONT'D.

- Available in 6", 7", and 8"
- Used as main or supplemental support when chimney system height exceeds maximum height allowed by Wall Support
- Supports up to 63' of chimney (6")
- Includes a support band that clamps around the chimney
- Maintains the minimum 2" clearance to wall and provides adjustability up to 4 7/8"

Size	Product Number	Part Number	A	B		C	Pack
				Min	Max		
6"	0873806	6UP-AIWS	8"	0"	4 7/8"	26 3/4"	1
7"	0873807	7UP-AIWS	9"	0"	4 7/8"	26 3/4"	1
8"	0873808	8UP-AIWS	10"	0"	4 7/8"	26 3/4"	1

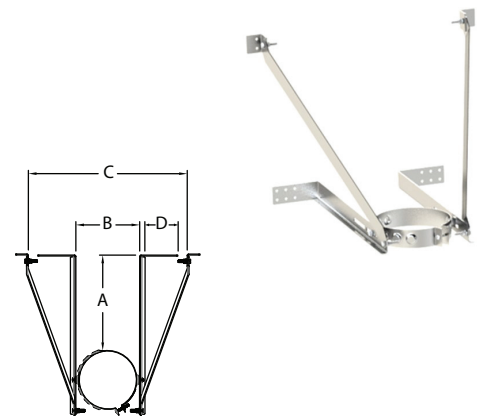
ADJUSTABLE INTERMEDIATE WALL SUPPORT



- Designed to support a vertical installation above the Insulated Tee.
- Will support up to 35' of chimney.
- Adjusts up to 12" from a vertical wall and will allow the chimney to pass by a 12" overhang (soffit).
- Universal Collar, 2 Lower Support Arms, 2 Upper Support Arms with Brackets, Hardware Pack and Instructions.

Size	Product Number	Part Number	A	B	C	D	Max Support Cap.	Pack
6"	UEWS-1	UEWS-1	7" to 14"	9 1/2"	23"	5 1/4"	35'	1
7"			6 1/2" to 13 1/2"	10 1/2"	24"		27'	1
8"			6" to 13"	11 1/2"	25"		25'	1

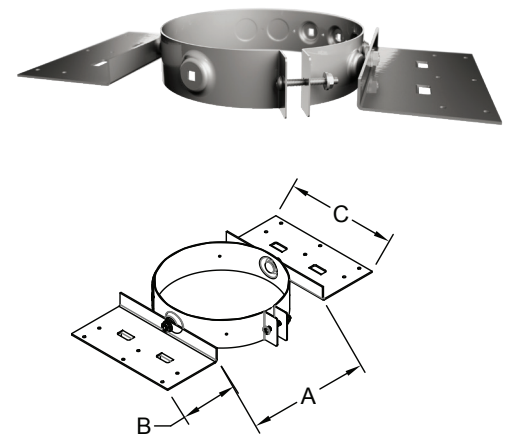
UNIVERSAL EXTENDED WALL SUPPORT



- Adjusts to fit 6", 7", and 8" chimney
- Designed to provide support at the roof and adjusts to any roof pitch
- Also used to provide support for an offset
- Will support up to 34' of 6" chimney, 27' of 7" chimney, or 24' of 8" chimney
- Universal Collar, Roof Brackets, and Hardware Pack included

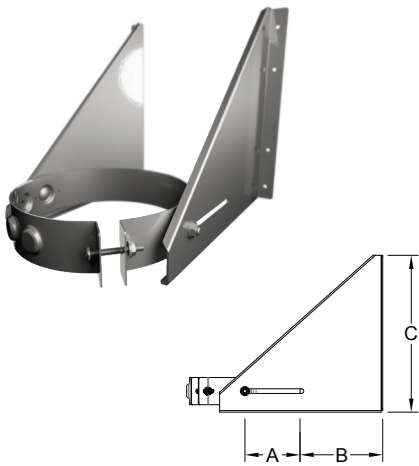
Size	Product Number	Part Number	A Int	B	C	Pack
6"	0860500	UP-URS	8 1/8"	4 1/8"	8"	10
7"			9 1/4"	4 1/8"	8"	10
8"			10 1/4"	4 1/8"	8"	10

UNIVERSAL ROOF SUPPORT



SUPPORTS CONT'D.

UNIVERSAL WALL SUPPORT

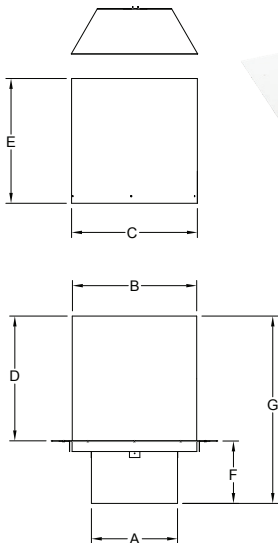


- Designed to support a vertical installation above the tee or above an offset
- Also serves as an intermediate support
- Maintains the minimum 2" clearance to wall and provides an additional 2 3/4" in adjustability
- Will support up to 28' of 6" chimney
- Support Brackets, Support Band, and Hardware Pack included

Size	Product Number	Part Number	A Min	A Max	B	C	Pack
6"	0872800	UP-UWS	1/8"	4 1/8"	6"	11 5/8"	4
7"			5/8"	4 1/8"	6"	11 5/8"	4
8"			1 1/8"	4 1/8"	6"	11 5/8"	4

SHIELDS

ADJUSTABLE ATTIC INSULATED SHIELD



- Available in 6", 7", and 8" diameters
- Two-piece overlapping design adjusts from 12" up to 22" height to accommodate deeper levels of insulation
- Insulated to prevent heat loss and reduce cold air infiltration
- Mineral Wool Insulation Blanket, Base Plate, and Collar included
- Must be installed where the chimney enters the attic space
- Designed to keep attic insulation away from the chimney and to maintain the mandatory 2" clearance

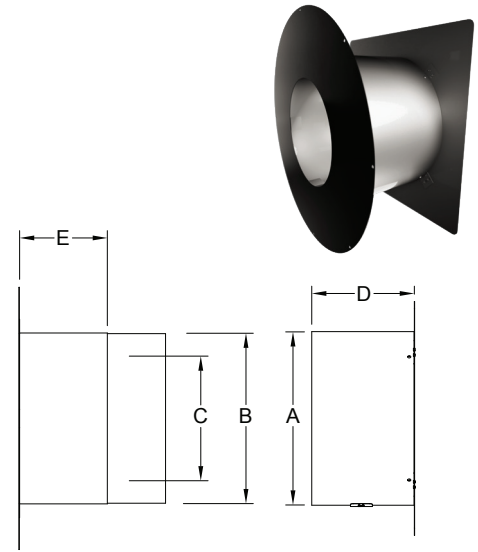
Size	Product Number	Part Number	A Ext.	B Ext.	C Int.	D	E	F	G	Pack
6"	0893406	6UP-AAIS	8 1/4"	12"	12 1/16"	12"	12"	6"	18"	1
7"	0893407	7UP-AAIS	9 1/2"	13 1/4"	13 5/16"	12"	12"	6"	18"	1
8"	0893408	8UP-AAIS	10 1/2"	14 1/4"	14 5/16"	12"	12"	6"	18"	1

SHIELDS CONT'D.

- Available in 6", 7", and 8"
- Required where the chimney passes through a combustible wall
- Accommodates 7" to 12" wall thickness, can be trimmed for thinner walls
- Insulated to prevent heat loss and to reduce cold air infiltration
- Mineral Wool Insulation Blanket and Metallic Black Finish Trim Collar included

Size	Product Number	Part Number	A Int.	B Int.	C Int.	D	E	Pack
6"	0888706	6UP-IWT	11 7/8"	11 5/8"	8 1/2"	7"	6"	1
7"	0888707	7UP-IWT	12 7/8"	12 5/8"	9 3/4"	7"	6"	1
8"	0888708	8UP-IWT	13 7/8"	13 5/8"	10 3/4"	7"	6"	1

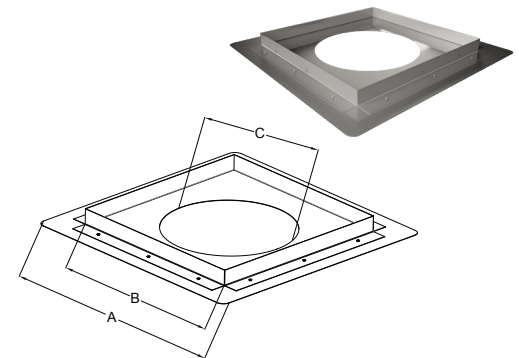
INSULATED WALL THIMBLE



- Available in 6", 7", and 8"
- Used at the ceiling level where the chimney passes through a floor or into an attic space

Size	Product Number	Part Number	A Square Plate	B Flange	C Opening	Pack
6"	0887906	6UP-FS	16"	12"	8 1/4"	10
7"	0887907	7UP-FS	16"	13"	9 3/8"	10
8"	0887908	8UP-FS	16"	14"	10 3/8"	10

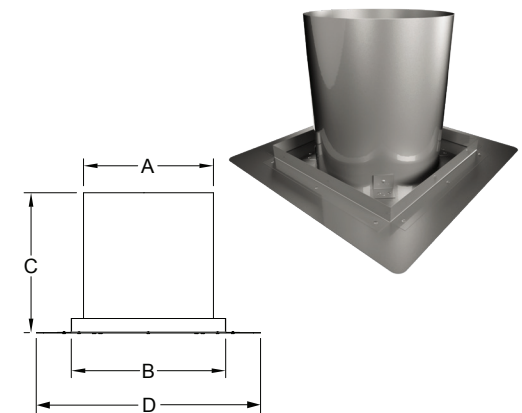
FIRESTOP



- Available in 6", 7", and 8"
- Can be used as alternative to the standard Firestop
- Includes a radiation shield
- Used at the ceiling level where the chimney passes through a floor or into an attic space

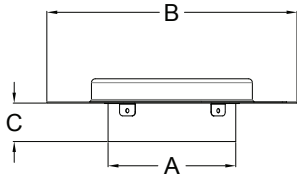
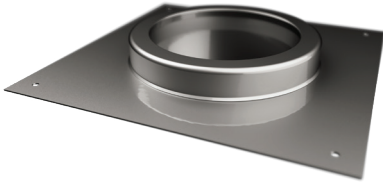
Size	Product Number	Part Number	A	B	C	D	Pack
6"	0879006	6UP-FRS10	10"	12"	10"	16"	5
7"	0879007	7UP-FRS10	11 1/2"	13"	10"	16"	5
8"	0879008	8UP-FRS10	12 1/2"	14"	10"	16"	5

FIRESTOP RADIATION SHIELD



SPECIALIZED COMPONENTS

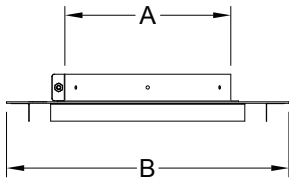
ANCHOR PLATE



- Available in 6", 7", and 8" diameters
- Provides a secure attachment for adapting the UltimatePlus chimney to a masonry fireplace
- Can be used with factory-built fireplace certified for use with UltimatePlus
- Supports 32' of chimney
- Hardware Pack included

Size	Product Number	Part Number	A Int.	B	C	Pack
6"	0879906	6UP-AP	6"	12"	1 ¾"	10
7"	0879907	7UP-AP	7"	12"	1 ¾"	10
8"	0879908	8UP-AP	8"	12"	1 ¾"	10

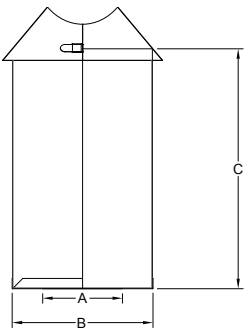
FLOOR SUPPORT PLATE



- Available in 6", 7", and 8"
- Used to support the chimney on a slab, floor, or joists
- Includes a support band that clamps around the chimney
- Supports 32' of chimney
- Support Plate, Support Band, and Hardware Pack included

Size	Product Number	Part Number	A Int.	B	Pack
6"	0892606	6UP-FSP	8 ⅛"	16"	5
7"	0892607	7UP-FSP	9 ½"	16"	5
8"	0892608	8UP-FSP	10 ½"	18"	5

INSULATED PASS-THROUGH RADIATION SHIELD



- Available in 6", 7", and 8" diameters
- Used when insulated chimney passes up through a ceiling opening into an attic space
- Suited for flat, vaulted, or cathedral ceilings; and multi-story applications
- Bottom of the Pass-Through also functions as a firestop
- Square-to-Round Collar serves as an Adjustable Attic Insulation Shield
- Adjustable from 24" up to max 46"
- Insulated to prevent heat loss and to reduce cold air infiltration
- Mineral Wool Insulation Blanket and Square-to-Round Collar included

Size	Product Number	Part Number	A	B	C	Pack
6"	0892706	6UP-IPTS	8"	12"	24"	1
7"	0892707	7UP-IPTS	9 ¼"	13"	24"	1
8"	0892708	8UP-IPTS	10 ¼"	14"	24"	1

SPECIALIZED COMPONENTS CONT'D.

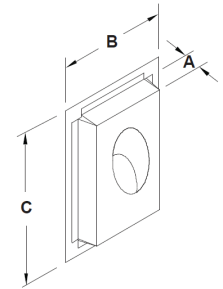
- Available in 6", 7", and 8"
- Available in 30° and 45° (Canada Only)
- Used only with wood-burning fireplaces that have been certified for use with UltimatePlus chimney system
- Designed for use when the chimney passes through a wall at an angle
- Factory Insulated to maintain the thermal envelope of your home - 3" thick

INSULATED WALL SHIELDS



30° INSULATED WALL SHIELD

Size	Product Number	Part Number	A	B	C	Pack
6"	088006	6UP-WRIS30	3"	15 5/8"	34 3/4"	1
7"	088007	7UP-WRIS30	3"	16 5/8"	37 3/4"	1
8"	088008	8UP-WRIS30	3"	17 5/8"	39 3/4"	1



45° INSULATED WALL SHIELD (CANADA ONLY)

Size	Product Number	Part Number	A	B	C	Pack
6"	088106	6UP-WRIS45	3"	15 5/8"	24 5/8"	1
7"	088107	7UP-WRIS45	3"	16 5/8"	26 5/8"	1
8"	088108	8UP-WRIS45	3"	17 5/8"	28"	1

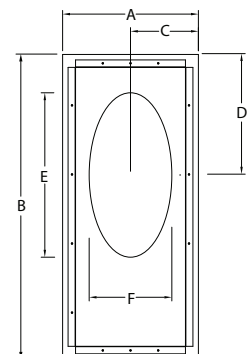
- Available in 6", 7", and 8"
- Available in 30° and 45° (Canada only)
- Used only with wood-burning fireplaces that have been certified for use with the UltimatePlus chimney system
- Designed for use where the chimney passes through a wall at an angle

ANGLED FIRESTOPS



30° ANGLED FIRESTOP

Size	Product Number	Part Number	A	B	C	D	E	F	Pack
6"	088206	6UP-AFS30	15 3/4"	35 1/4"	7 7/8"	13 3/8"	16 1/4"	8 1/8"	1
7"	088207	7UP-AFS30	16 3/4"	37 3/4"	8 3/8"	14 5/8"	18 3/4"	9 3/8"	1
8"	088208	8UP-AFS30	17 3/4"	39 1/4"	8 7/8"	15 5/8"	20 3/4"	10 3/8"	1

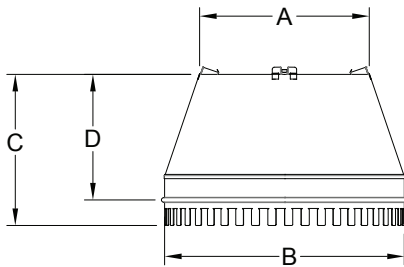


45° ANGLED FIRESTOP (CANADA ONLY)

Size	Product Number	Part Number	A	B	C	D	E	F	Pack
6"	088306	6UP-AFS45	15 5/8"	24 7/8"	7 7/8"	10"	11 1/2"	8 1/8"	1
7"	088307	7UP-AFS45	16 5/8"	26 5/8"	8 3/8"	10 3/4"	13 1/4"	9 3/8"	1
8"	088308	8UP-AFS45	17 5/8"	28"	8 7/8"	11 1/2"	14 3/4"	10 3/8"	1

SPECIALIZED COMPONENTS CONT'D.

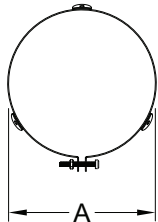
TALL CONE CHASE ADAPTER



- Available in 6", 7", and 8"
- Used where the chimney passes through a custom chase top flashing
- Vented cone with integrated spacers at top to ensure ventilation
- Tested to meet vented flashing requirements
- Bottom tabs easily attach to custom chase flashings
- Storm Collar and Roof Radiation Shields included

Size	Product Number	Part Number	A Int.	B Ext.	C	D	Pack
6"	0893506	6UP-TCCA	10 1/8"	14 1/8"	8 7/8"	7 3/8"	1
7"	0893507	7UP-TCCA	11 1/2"	14 1/8"	8 7/8"	7 3/8"	1
8"	0803508	8UP-TCCA	12 1/2"	14 1/8"	8 7/8"	7 3/8"	1

GUY WIRE BAND



- Available in 6", 7", and 8"
- Used to provide added stability to a chimney that protrudes from 5' to 13' above a roof
- Guy Wire Band includes three attaching tabs for securing guy wire (not included)

Size	Product Number	Part Number	A Int.	Pack
6"	0861206	6UP-GWB	8"	10
7"	0861207	7UP-GWB	9 1/2"	10
8"	0861208	8UP-GWB	10 1/2"	10

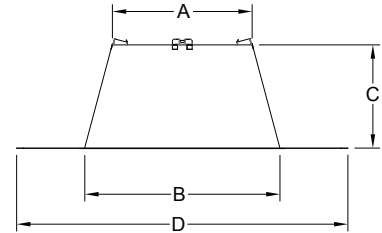
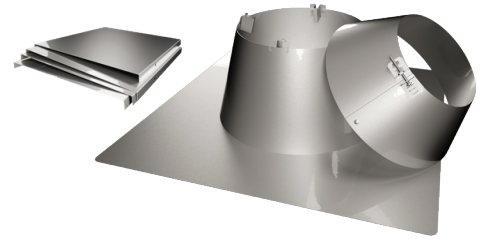
FLASHINGS

- Available in 6", 7", and 8"
- Used where the chimney passes through a flat roof
- Vented flashing with integrated spacers ensures ventilation
- Storm Collar and Roof Radiation Shields included

Note: Roof Radiation Shields are optional in Canada.

Size	Product Number	Part Number	A	B	C	D	Pack
6"	0893006	6UP-FRF	10 1/8"	14 1/8"	7 1/2"	24"	3
7"	0893007	7UP-FRF	11 1/2"	14 1/8"	7 1/2"	24"	3
8"	0893008	8UP-FRF	12 1/2"	14 1/8"	7 1/2"	24"	3

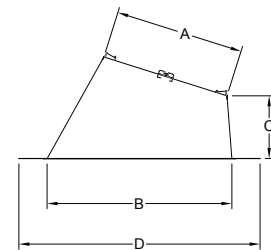
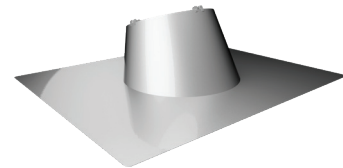
FLAT ROOF FLASHING



- Available in 6", 7", and 8"
- Used on corrugated or tiled roofs, designed to be molded to uneven roof surfaces
- Used where the chimney passes through a pitched roof
- Vented flashing with integrated spacers ensures ventilation
- Available in pitches of 1/12 to 7/12, 8/12 to 12/12
- Storm Collar and Roof Radiation Shields included

Note: Roof Radiation Shields are optional in Canada.

DEAD SOFT FLASHING & STORM COLLAR

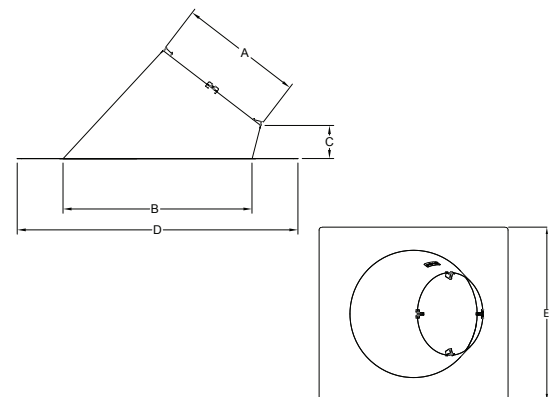


1/12 TO 7/12

Size	Product Number	Part Number	A	B	C	D	Pack
6"	0893206	6UP-AFD7	10 1/8"	16 1/8"	6"	24"	1
7"	0893207	7UP-AFD7	11 1/2"	16 1/8"	6"	24"	1
8"	0893208	8UP-AFD7	12 1/2"	17 5/8"	6"	24"	1

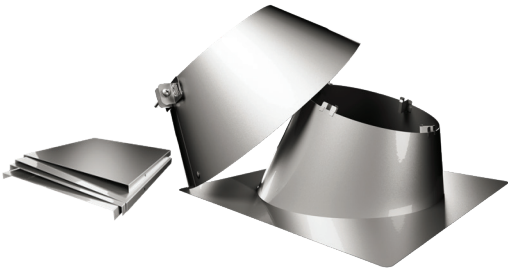
8/12 TO 12/12

Size	Product Number	Part Number	A	B	C	D	E	Pack
6"	0893606	6UP-AFD12	10 1/8"	17 5/8"	6"	36"	29 1/2"	3
7"	0893607	7UP-AFD12	11 1/2"	17 5/8"	4 1/2"	36"	29 1/2"	3
8"	0893608	8UP-AFD12	12 1/2"	17 5/8"	3 7/8"	36"	29 1/2"	3

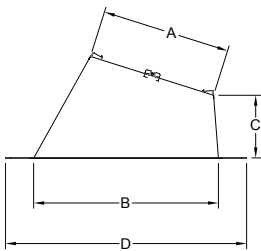


FLASHINGS CONTINUED

ADJUSTABLE FLASHING & STORM COLLAR

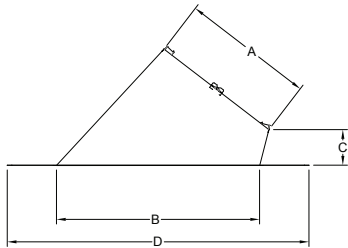


- Available in 6", 7", and 8"
 - Used where the chimney passes through a pitched roof
 - Vented flashing with integrated spacers ensures ventilation
 - Available in pitches of 1/12 to 7/12, 8/12 to 12/12, and 12/12 to 21/12
 - Storm Collar and Roof Radiation Shields included
- Note: Roof Radiation Shields are optional in Canada.



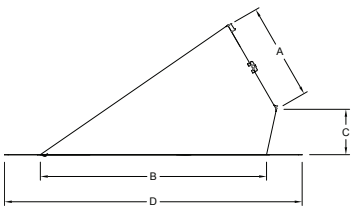
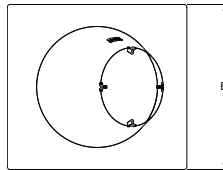
1/12 TO 7/12

Size	Product Number	Part Number	A Int.	B Int.	C	D	Pack
6"	0893306	6UP-ARF7	10 3/8"	16 1/8"	6"	24"	3
7"	0893307	7UP-ARF7	11 1/2"	16 1/8"	6"	24"	3
8"	0893308	8UP-ARF7	12 1/2"	17 5/8"	6"	24"	3



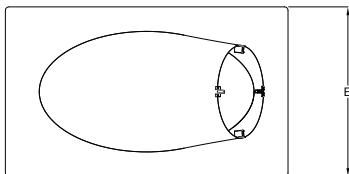
8/12 TO 12/12

Size	Product Number	Part Number	A Int.	B Int.	C	D	E	Pack
6"	0893706	6UP-ARF12	10 3/8"	16 1/8"	6"	27"	24"	3
7"	0893707	7UP-ARF12	11 1/2"	17 5/8"	4 1/2"	27"	24"	3
8"	0893708	8UP-ARF12	12 1/2"	17 5/8"	3 7/8"	27"	24"	3



12/12 TO 21/12

Size	Product Number	Part Number	A Int.	B Int.	C	D	E	Pack
6"	0893906	6UP-ARF21	10 3/8"	17 5/8"	5 7/8"	36"	24"	1
7"	0893907	7UP-ARF21	11 1/2"	17 5/8"	5 7/8"	36"	24"	1
8"	0893908	8UP-ARF21	12 1/2"	17 5/8"	5 7/8"	36"	24"	1



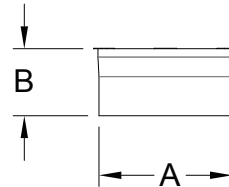
ACCESSORIES

- Available in 6", 7", and 8"
- For transition from black stove pipe to UltimatePlus chimney
- Stainless steel construction
- Hardware pack included

Note: Standard Option is 304 stainless steel. Premium Option (available in 6" only) is 316 stainless steel.

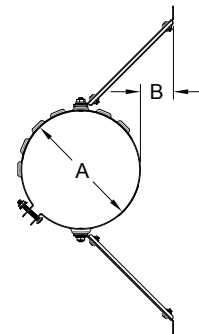
Size	Product Number	Part Number	Option	A	B	Pack
6"	0879806	6UP- SPA	Standard	6"	3"	10
6"	0879806-316	6UP-SPA-316SS	Premium	6"	3"	10
7"	0879807	7UP-SPA	Standard	7"	3"	10
8"	0879808	8UP-SPA	Standard	8"	3"	10

SMOKE PIPE ADAPTER



- Used to provide lateral support for the chimney when installed up an exterior or interior wall
- Sliding Legs provide horizontal adjustability dependent on diameter
- Maintains the minimum 2" clearance to wall
- Required at 8' or closer intervals to stabilize the chimney, whenever it is supported along a vertical wall
- Universal Collar, Sliding Legs, and Hardware Pack included.

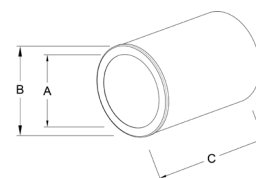
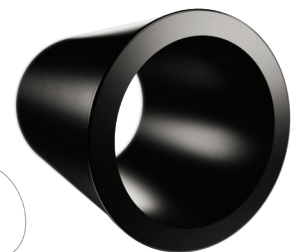
UNIVERSAL WALL BAND



Size	Product Number	Part Number	A Int	Clearance Range		Pack
				B Min	B Max	
6"	0887800	UP-UWB	8 1/8"	2"	6"	10
7"			9 1/4"	2"	5 1/2"	10
8"			10 1/4"	2"	5"	10

- Available in 6", 7", and 8"
- The optional Decorative Sleeve provides a decorative finish to the horizontal length within the room when passing through a non-combustible wall or a Wall Thimble
- Metallic black finish

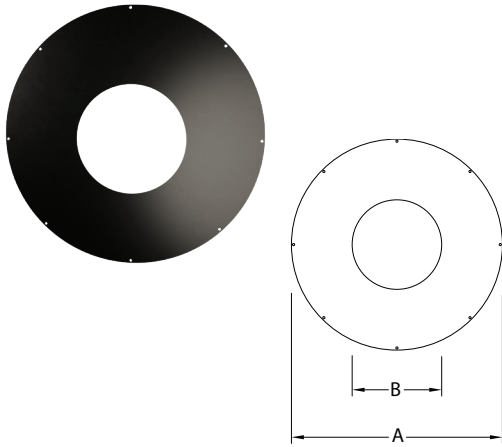
DECORATIVE SLEEVE



Size	Product Number	Part Number	A	B	C	Pack
6"	0877406	6UP-DS	6 3/4"	8 1/4"	12"	1
7"	0877407	7UP-DS	7 3/4"	9 1/2"	12"	1
8"	0877408	8UP-DS	8 3/4"	10 1/2"	12"	1

ACCESSORIES CONT'D.

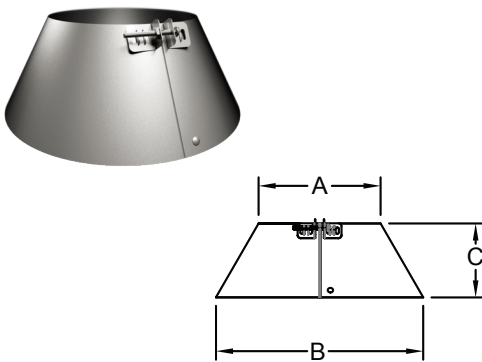
TRIM COLLAR



- Available in 6", 7", and 8"
- Used to provide a professional finish around the chimney when passing through a non-combustible wall
- Metallic black finish

Size	Product Number	Part Number	A	B	Pack
6"	0887306	6UP-TC	18"	8 3/8"	5
7"	0887307	7UP-TC	21"	9 5/8"	5
8"	0887308	8UP-TC	21"	10 5/8"	5

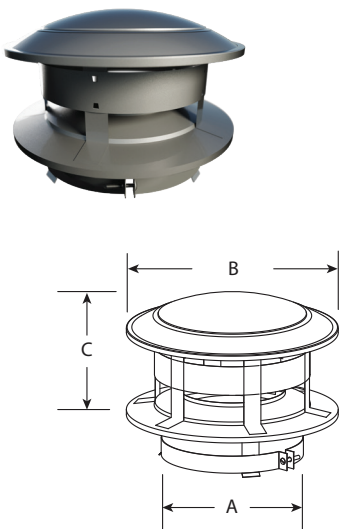
STORM COLLAR



- Available in 6", 7", and 8"
- Used in conjunction with roof flashing to weather proof the system
- Storm Collar is included with all Roof Flashings

Size	Product Number	Part Number	A Int.	B Int.	C	Pack
6"	0887406	6UP-SC	8 1/8"	13 1/8"	4 3/8"	10
7"	0887407	7UP-SC	9 1/8"	14 1/8"	4 3/8"	10
8"	0887408	8UP-SC	10 1/4"	15 1/4"	4 3/8"	10

ROUND TOP TERMINATION & BAND



- Available in 6", 7", and 8"
- Used to prevent rain and debris from entering the chimney
- Lower skirt deflects wind for proper chimney draft
- Designed for easy installation and removal for inspection and cleaning
- Cinch band holds the Round Top firmly in place

Note: Standard Option is 304 stainless steel. Premium Option (available in 6" only) is 316 stainless steel.

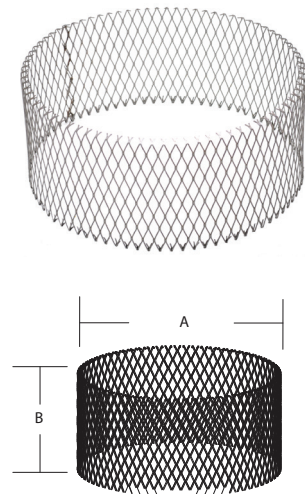
Size	Product Number	Part Number	Option	A	B	C	Pack
6"	0887606	6UP-CT	Standard	8"	12"	5 1/2"	1
6"	0887606-316	6UP-CT-316SS	Premium	8"	12"	5 1/2"	1
7"	0887607	7UP-CT	Standard	9"	14"	6 1/4"	1
8"	0887608	8UP-CT	Standard	10"	16"	7"	1

ACCESSORIES CONT'D.

- Available in 6", 7", and 8"
- Corrosion resistant diamond mesh Stainless Steel
- Helps prevent burning embers from exiting the flue
- Helps prevent birds and animals from entering the chimney
- Preformed
- Slips over the dome of the Round Top
- Used to comply with local codes, where required

Size	Product Number	Part Number	A	B	Pack
6"	206791	6T-USA	12"	4"	1
7"	207791	7T-USA	14"	5"	1
8"	208791	8T-USA	16"	5 ½"	1

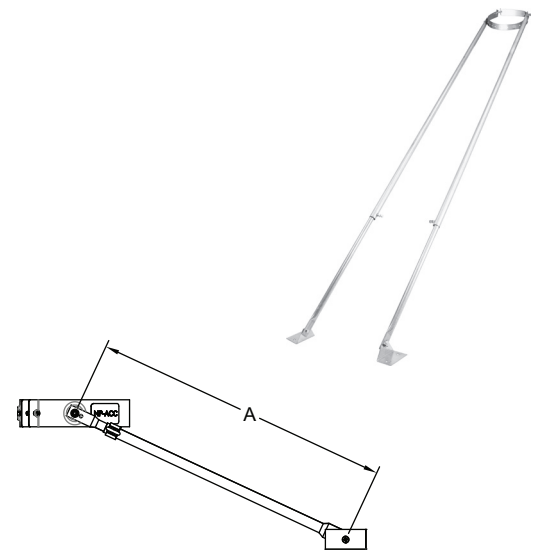
UNIVERSAL SPARK ARRESTER



- Required to stabilize chimney when 5 feet or more extends above the roof-line. Use one kit every 5 feet.
- Adjusts to fit 6", 7", and 8" chimneys
- Telescoping legs adjust from 5' to 9'
- Hardware Pack included

Size	Product Number	Part Number	A Length Range		Pack
			Min.	Max.	
6" to 8"	0887400	UP-URBK	60"	108"	1

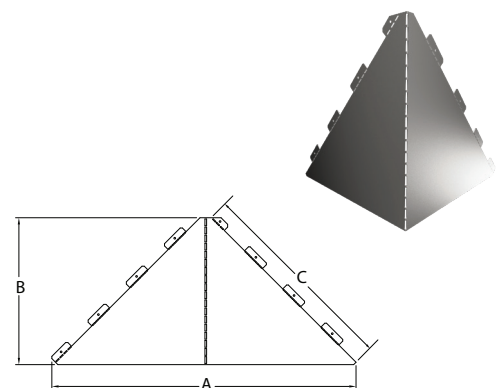
UNIVERSAL ROOF BRACE KIT



- Designed to deflect snow and ice while preventing unnecessary strain or damage to chimney
- Mounts directly to roof behind chimney pipe
- Ships flat and easily assembled on the job site
- Made from heavy-duty 14 gauge galvanized steel

Product Number	Part Number	A	B	C	Pack
0861100	UP-USSA	45"	21 ¾"	31"	1

UNIVERSAL SNOW SPLITTER



KITS

ADJUSTABLE BASE TEE WALL SUPPORT KIT



- Available in 6"
- Used for a wall-supported chimney system connecting to an Insulated Tee and running vertically up the exterior wall to terminate above the roof line
- Tee is positioned on top of the Adjustable Base Tee Wall Support
- Kit includes:

Insulated Tee & Insulated Twist-Lock Tee Cap
 Smoke Pipe Adapter
 Adjustable Base Tee Wall Support
 Universal Wall Band
 Insulated Wall Thimble
 Decorative Sleeve
 Round Top Termination
 Hardware Packs

Size	Product Number	Part Number	Pack
6"	0889806-3	6UP-BTWSK-3	1

SUSPENDED WALL SUPPORT KIT



- Available in 6"
- Used for a wall-supported chimney system connecting to an Insulated Tee and running vertically up the exterior wall to terminate above the roof line
- Tee can be positioned above or below Wall Support
- Kit includes:

Insulated Tee & Insulated Twist-Lock Tee Cap
 Smoke Pipe Adapter
 Universal Wall Support
 Universal Wall Band
 Insulated Wall Thimble
 Decorative Sleeve
 Round Top Termination
 Hardware Packs

Size	Product Number	Part Number	Pack
6"	0889906-3	6UP-SWSK-3	1

INTERIOR KIT



- Available in 6"
- Used when the chimney is supported at a flat ceiling, enters an attic space and then out through the roof
- Kit includes:

Round Support with Detached Trim
 Smoke Pipe Adapter
 Adjustable Attic Insulated Shield
 Round Top Termination
 Hardware Packs

Size	Product Number	Part Number	Pack
6"	0889706-3	6UP-1K-3	1

PREMIUM SHIELD ACCESSORIES

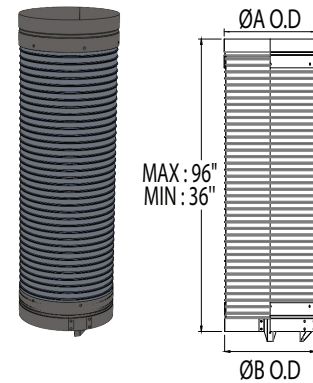
In Canada, a Premium Shield is required around the chimney for installations of wood / coal appliances when completely enclosed in an interior application.

Below you will find the available Premium Shield components.

- Designed for the same applications as a rigid shield when an offset is required
- Adjustable design supports multiple installation configurations
- Height range: 36" minimum to 96" maximum
- For heights over 96", two FLRS-3 units can be connected
- Units can be joined directly or with a Radiation Shield Swivel Adapter (RSSAD-3)
- **For use in Canada only**

Size	Product Number	ØA O.D	ØB O.D
6"	6FLRS-3	10 9/16"	10 11/16"
7"	7FLRS-3	11 9/16"	11 11/16"
8"	8FLRS-3	12 9/16"	12 11/16"

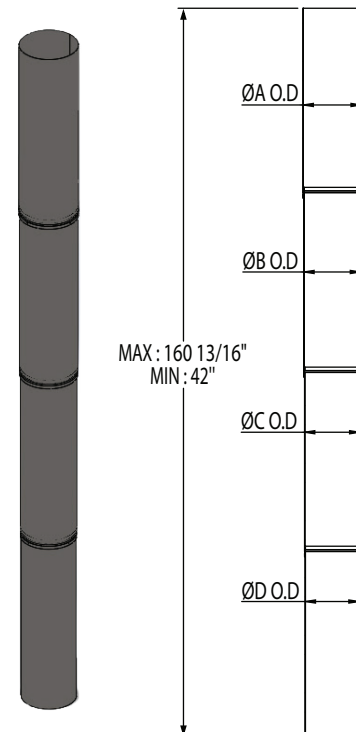
FLEXIBLE LENGTH RADIATION SHIELD



- Used as a protective casing when the chimney is enclosed within a structure
- Suitable for installations between floors or inside a chase
- Secured with screws to a Radiation Shield Connector (RSC-3) at each floor or ceiling
- Telescopic design allows for height adjustment
- Height range: 42" minimum to 160 13/16" maximum
- **For use in Canada only**

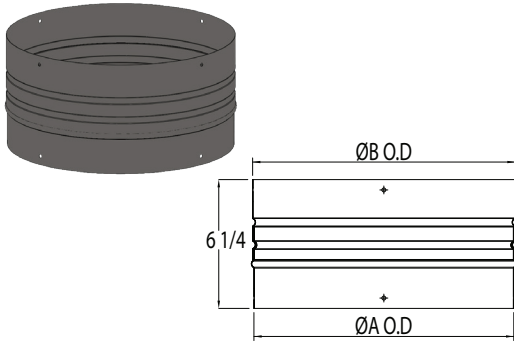
Size	Product Number	ØA O.D	ØB O.D	ØC O.D	ØD O.D
6"	6TRLRS-3	10 13/16"	10 1/2"	10 3/16"	9 7/8"
7"	7TRLRS-3	11 13/16"	11 1/2"	11 3/16"	10 7/8"
8"	8TRLRS-3	12 13/16"	12 1/2"	12 3/16"	11 7/8"

TELESCOPIC RIGID LENGTH RADIATION SHIELD



PREMIUM SHIELD ACCESSORIES CONT'D.

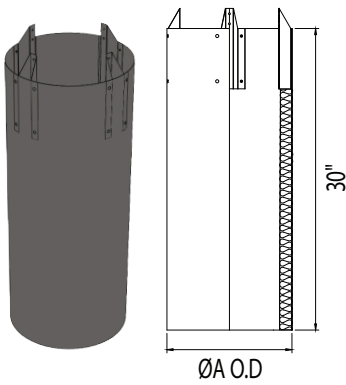
RADIATION SHIELD SWIVEL ADAPTOR



- Optional component designed for confined or hard-to-access spaces
- Facilitates easier connections during assembly
- Connects two Flexible Length Radiation Shields (FLRS-3)
- Also connects an FLRS-3 to a Radiation Shield Connector (RSC-3)
- **For use in Canada only**

Size	Product Number	Ø Interior	Ø Exterior
6"	6RSSAD-3	10 9/16"	10 11/16"
7"	7RSSAD-3	11 9/16"	11 11/16"
8"	8RSSAD-3	12 9/16"	12 11/16"

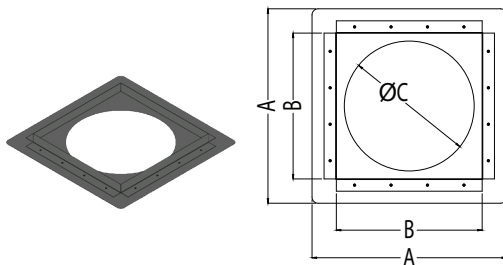
RADIATION SHIELD CONNECTOR



- Used with a Radiation Shield Support Connector (RSSC-3) or Radiation Shield Firestop Connector (RSFC-3)
- Required when the enclosed chimney passes through a ceiling or floor
- Attaches securely to the chimney with four screws through integrated brackets
- For attic installations, a storm collar must be installed at the top for proper sealing and protection
- Includes factory-installed insulation
- **For use in Canada only**

Size	Product Number	Ø A.O.D.
6"	6RSC-3	10 7/16"
7"	7RSC-3	11 7/16"
8"	8RSC-3	12 7/16"

RADIATION SHIELD FIRESTOP CONNECTOR



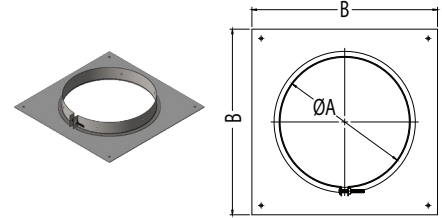
- Designed for use with a Radiation Shield Connector (RSC-3)
- Installed below each floor where an enclosed chimney passes through
- **For use in Canada only**

Size	Product Number	A	B	Ø C
6"	6RSFC-3	16"	12"	10 11/16"
7"	7RSFC-3	16"	13"	11 11/16"
8"	8RSFC-3	16"	14"	12 11/16"

PREMIUM SHIELD ACCESSORIES CONT'D.

- Used with a Radiation Shield Connector (RSC-3)
- Installed on floors where the chimney requires additional support
- Commonly required after an offset
- **For use in Canada only**

**RADIATION SHIELD
SUPPORT CONNECTOR**



Size	Product Number	ØA O.D	B
6"	6RSSC-3	10 7/16"	15"
7"	7RSSC-3	11 7/16"	16"
8"	8RSSC-3	12 7/16"	17"

10" CHIMNEY FOR FACTORY-BUILT FIREPLACES

All the components that you expect and need:

- Anchor Plate
- Lengths: 48", 36", 24", 18", 12", 8"
- 12" Adjustable Length
- Elbows: 15°, 30°
(45° elbow available in Canada)
- Supports: Wall, Roof
- Shields, Firestops, and Braces
- Ventilated Flashings
- Chimney Cap

FEATURES

A twist-lock stainless steel coupler system with 1-inch overlap makes installation simple and quick.

1" insulated wall thickness

Laser-welded outer and inner seams create a sleek, smooth, clean look.

Stainless steel inner lining and outer casing provide fast venting of combustion products.

2" safety clearance from combustible materials

APPROVALS

- Tested and Certified to UL 103 Type HT
- Tested and Certified to CAN/ULC-604

WARRANTY

Backed by the Duravent Group Limited Lifetime Warranty.

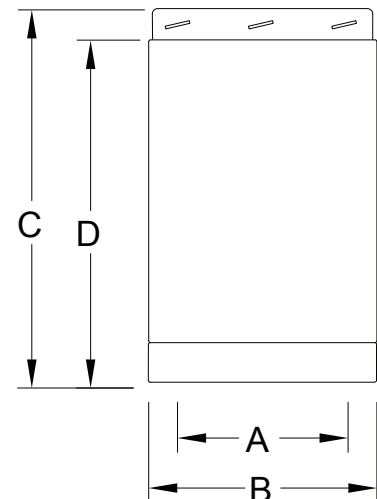


LENGTHS

- Double-Wall, 1-inch Insulated Chimney
- For use with specific factory-built fireplaces listed with UltimatePlus 10"
- Lengths twist-lock with just a 1/8th rotation
- Chimney is sized according to the inner diameter
- Chimney sections are available in 8", 12", 18", 24", 36", and 48" lengths
- Sectional overlap of 1"

CHIMNEY LENGTHS

Size	Product Number.	Part Number	A	B	C	D	Pack
			ID	OD	Overall Length	Installed Length	
10"	0881410	10UP-L8	10"	12 1/4"	8"	7"	1
10"	0881210	10UP-L12	10"	12 1/4"	12"	11"	1
10"	0881110	10UP-L18	10"	12 1/4"	18"	17"	1
10"	0881010	10UP-L24	10"	12 1/4"	24"	23"	1
10"	0880310	10UP-L36	10"	12 1/4"	36"	35"	1
10"	0880410	10UP-L48	10"	12 1/4"	48"	47"	1



LENGTHS CONTINUED

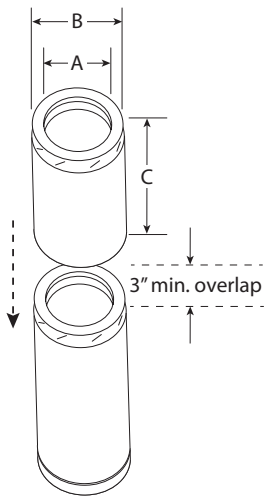
ADJUSTABLE LENGTHS



- Used in combination with straight insulated length
- Used to adjust the system to an exact overall length
- Used also between elbows for a required offset distance
- Requires a minimum 3" overlap
- Hardware Pack included

Note: A support must be installed within 5 feet

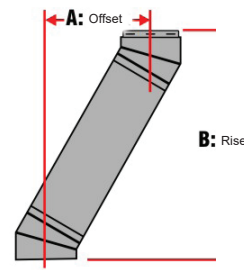
Size	Product Number.	Part Number	A	B	C	D Length Range		Pack
			Inner Wall Dia (ID)	Outer Wall Dia (OD)	Total Length	Min	Max	
10"	0881510	10UP-AL12	10"	12 3/8"	13 3/8"	2"	9"	1



ELBOWS

- Available in 15°, 30°, and 45° (in Canada only)
- Used in pairs to offset chimney around obstacles such as a joist or truss
- Refer to factory-built fireplace instructions for offset requirements
- Must be supported with a Roof Support or a Wall Support
- Can be rotated to attain optimum positioning offset and secured with supplied screws
- Hardware Pack included

INSULATED ELBOWS

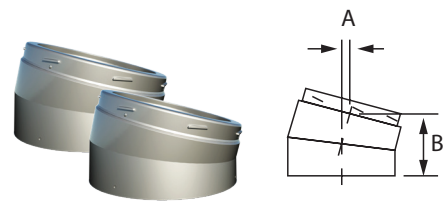


A maximum of two offsets (4 elbows in all) is allowed per chimney system. The chimney must not be inclined more than 30° from vertical in the USA and 45° in Canada. Offset charts are available to assist in determining your offset and rise.

The vertical run of the chimney above an offset must be supported using a Roof Support (RS) or a Wall Support (WS).

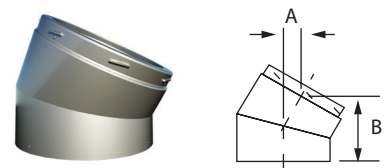
15° ELBOW (SOLD IN A PAIR) - APPLIES ONLY TO 15°

Size	Product Number.	Part Number	ID	OD	A	B	Pack
10"	0882410	10UP-EL15	10"	12 ¼"	½"	4 ½"	2



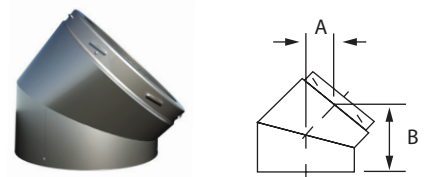
30° ELBOW (SOLD INDIVIDUALLY)

Size	Product Number.	Part Number	ID	OD	A	B	Pack
10"	0882310	10UP-EL30	10"	12 ¼"	2"	7 ½"	1



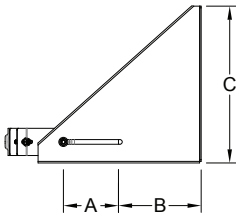
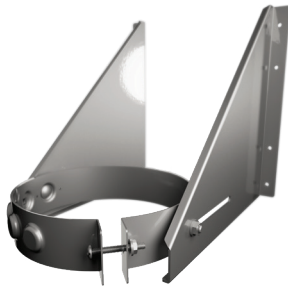
45° ELBOW (CANADA ONLY) (SOLD INDIVIDUALLY)

Size	Product Number.	Part Number	ID	OD	A	B	Pack
10"	0882510	10UP-EL45	10"	12 ¼"	3"	6 ⅞"	1



SUPPORTS

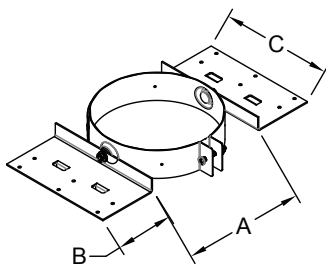
WALL SUPPORT



- Designed to support the chimney above an offset
- Also serves as an intermediate support
- Maintains the minimum 2" clearance to wall and provides an additional 2 3/4" in adjustability
- Will support up to 14'
- Support Brackets, Support Band, and Hardware Pack included

Size	Product Number	Part Number	A Min	A Max	B	C	Pack
10"	0872810	10UP-WS	2 1/4"	4 1/8"	6"	11 5/8"	4

ROOF SUPPORT



- Designed to provide support at the roof and adjusts to any roof pitch and provides support for an offset
- Will support up to 20'
- Support Band, Roof Brackets, and Hardware Pack included

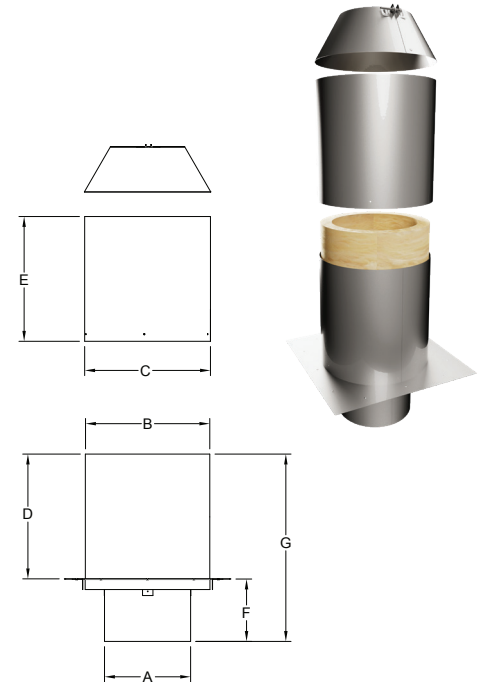
Size	Product Number	Part Number	A Int	B	C	Pack
10"	0860510	10UP-URS	12 1/4"	4 1/8"	8"	10

SHIELDS

- Two-piece overlapping design adjusts from 12" up to 22" height to accommodate deeper levels of insulation
- Factory-insulated and includes both the Base Plate and Collar as shown
- Must be installed where the chimney enters the attic space
- Designed to keep insulation away from the chimney and to maintain the mandatory 2" clearance
- Base Plate size is 18" x 18"

Size	Product Number	Part Number	A Ext.	B Ext.	C Int.	D	E	F	G	Pack
10"	0893410	10UP-AAIS	12 3/8"	16 1/4"	16 5/16"	12"	12"	6"	18"	1

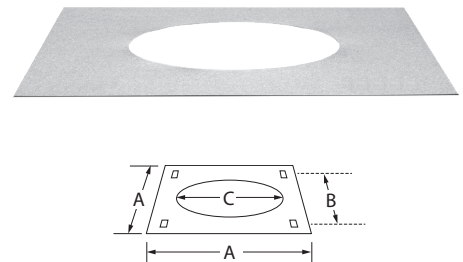
ADJUSTABLE ATTIC INSULATED SHIELD



- Used at the ceiling level where the chimney passes through a floor or into an attic space

Size	Product Number	Part Number	A Square Plate	B Bracket	C Hole	Pack
10"	0887910	10UP-FS	18"	16"	12 3/8"	10

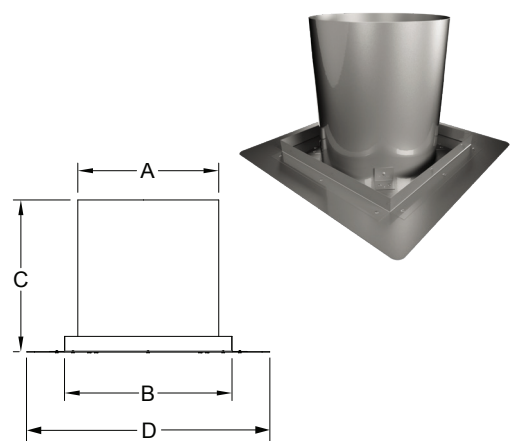
FIRESTOP



- Can be used as alternative to the standard Firestop
- Includes a radiation shield
- Used at the ceiling level where the chimney passes through a floor or into an attic space

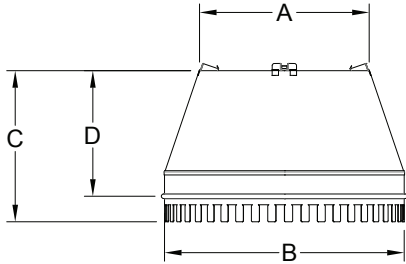
Size	Product Number	Part Number	A	B	C	D	Pack
10"	0879010	10UP-FRS	15"	16"	10"	16"	1

FIRESTOP RADIATION SHIELD



SPECIALIZED COMPONENTS

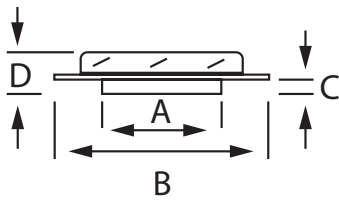
TALL CONE CHASE ADAPTER



- Used where the chimney passes through a custom chase top flashing
- Vented cone with integrated spacers at top to ensure ventilation
- Tested to meet vented flashing requirements
- Bottom tabs easily attach to custom chase flashings
- Storm Collar and Roof Radiation Shields included

Size	Product Number	Part Number	A Int.	B Ext.	C	D	Pack
10"	0893510	10UP-TCCA	14 ½"	16 ⅝"	8 ⅞"	7 ⅜"	1

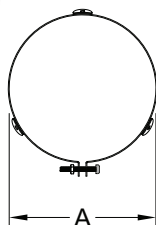
ANCHOR PLATE



- Provides a secure attachment for adapting the UltimatePlus chimney to a masonry fireplace
- Can be used with factory-built fireplace certified for use with UltimatePlus
- Hardware Pack included

Size	Product Number	Part Number	A	B	C	D	Pack
10"	0879910	10UP-AP	10"	14"	2"	3"	5

GUY WIRE BAND



- Used to provide added stability to a chimney that protrudes from 5' to 13' above a roof
- Guy Wire Band includes three attaching tabs for securing guy wire (not included)

Size	Product Number	Part Number	A Int.	Pack
10"	0861210	10UP-GWB	12 ¼"	10

SPECIALIZED COMPONENTS CONT'D.

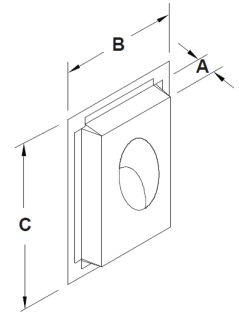
- Available in 30° and 45° (45° Canada Only)
- Used only with wood-burning fireplaces that have been certified for use with UltimatePlus chimney system
- Designed for use when the chimney passes through a wall at an angle
- Insulated to maintain the thermal envelope of your home - 3" thick

INSULATED WALL SHIELDS



30° INSULATED WALL SHIELD

Size	Product Number	Part Number	A	B	C	Pack
10"	088010	10UP-WRIS30	3"	19 3/8"	42 3/4"	1



45° INSULATED WALL SHIELD (CANADA ONLY)

Size	Product Number	Part Number	A	B	C	Pack
10"	088110	10UP-WRIS45	3"	19 3/8"	30"	1

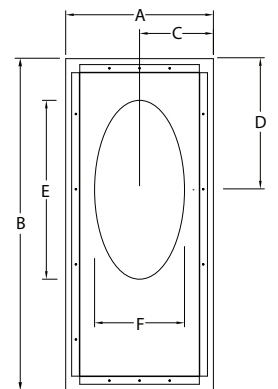
- Available in 30° and 45° (45° Canada only)
- Used only with wood-burning fireplaces that have been certified for use with the UltimatePlus chimney system
- Designed for use where the chimney passes through a wall at an angle

ANGLED FIRESTOPS



30° ANGLED FIRESTOP

Size	Product Number	Part Number	A	B	C	D	E	F	Pack
10"	088210	10UP-AFS30	19 1/2"	43 1/2"	9 3/4"	17 3/8"	24 5/8"	12 3/8"	1

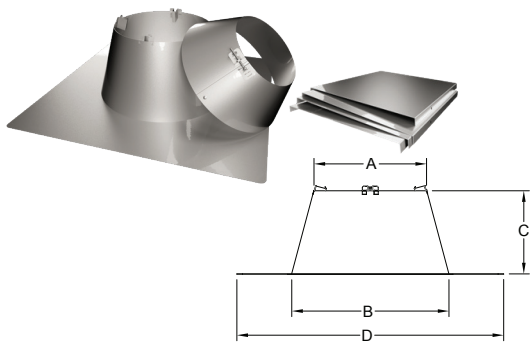


45° ANGLED FIRESTOP (CANADA ONLY)

Size	Product Number	Part Number	A	B	C	D	E	F	Pack
10"	088310	10UP-AFS45	19 3/8"	30 1/2"	9 3/4"	12 3/4"	17 3/8"	12 1/4"	1

FLASHINGS

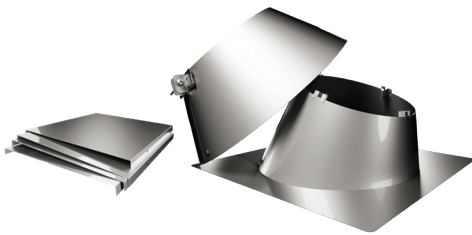
FLAT ROOF FLASHING



- Used where the chimney passes through a flat roof
 - Vented flashing with integrated spacers ensures ventilation
 - Storm Collar and Roof Radiation Shields included
- Note: Roof Radiation Shields are optional in Canada.

Size	Product Number	Part Number	A	B	C	D	Pack
10"	0893010	10UP-FRF	14 ½"	16 ⅝"	7 ½"	30"	3

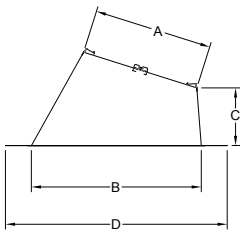
ADJUSTABLE FLASHING & STORM COLLAR



- Used where the chimney passes through a pitched roof
 - Vented flashing with integrated spacers ensures ventilation
 - Available in pitches of 1/12 to 7/12, 8/12 to 12/12, and 12/12 to 21/12
 - Storm Collar and Roof Radiation Shields included
- Note: Roof Radiation Shields are optional in Canada.

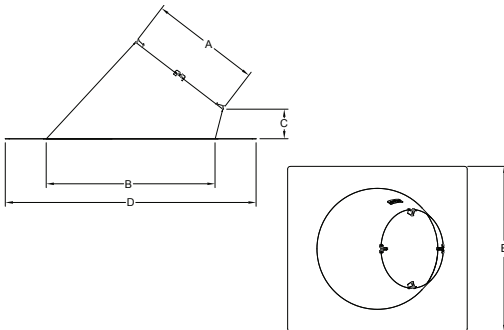
1/12 TO 7/12

Size	Pitch	Product Number	Part Number	A Int.	B Int.	C	D	Pack
10"	1/12 to 7/12	0893310	10UP-ARF7	14 ½"	20"	6"	30"	1



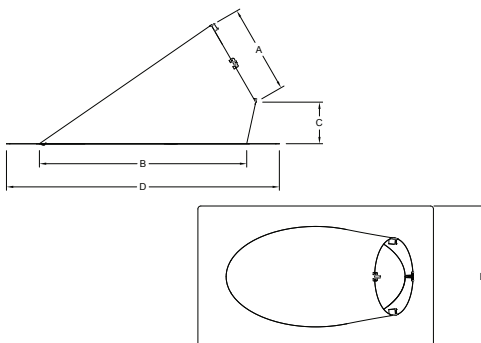
8/12 TO 12/12

Size	Pitch	Product Number	Part Number	A Int.	B Int.	C	D	E	Pack
10"	8/12 to 12/12	0893710	10UP-ARF12	14 ½"	22"	4 ½"	32 ⅝"	30"	3



12/12 TO 21/12

Size	Pitch	Product Number	Part Number	A Int.	B Int.	C	D	E	Pack
10"	12/12 to 21/12	0893810	10UP-ARF21	14 ½"	22"	5 ⅞"	42"	24"	1



ACCESSORIES

- Used to provide lateral support for the chimney when installed adjacent to a wall
- Sliding Legs provide horizontal adjustability dependent on diameter
- Maintains the minimum 2" clearance to wall
- Required at 8' or closer intervals to stabilize the chimney, whenever it is supported along a vertical wall
- Universal Band, Sliding Legs, and Hardware Pack included.

Size	Product Number	Part Number	A Int	Clearance Range		Pack
				B Min	B Max	
10"	0887810	10UP-WB	12 ¼"	2"	4"	10

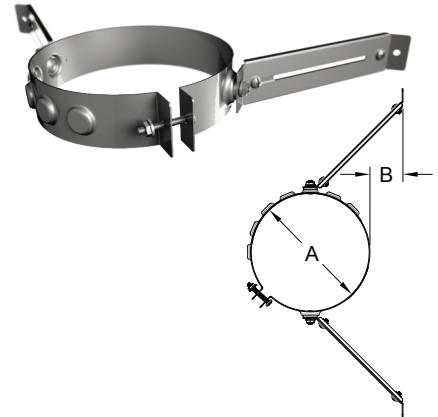
- Used in conjunction with Roof Flashing to weather proof the system
- Storm Collar is included with Roof Flashing

Size	Product Number	Part Number	A Int.	B Int.	C	Pack
10"	0887410	10UP-SC	12 ¼"	17 ¼"	4 ⅜"	10

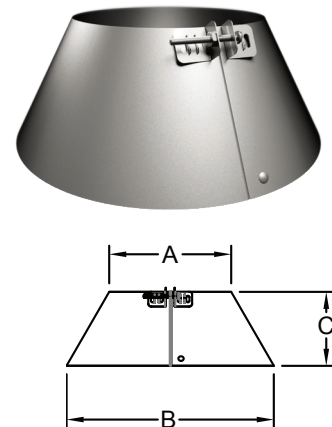
- Used to prevent rain and debris from entering the chimney
- Designed for easy installation and removal for inspection and cleaning

Size	Product Number	Part Number	A	B	C	Pack
10"	0887610	10UP-CT	10"	20"	8 ½"	1

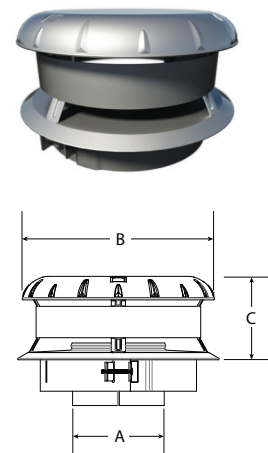
WALL BAND



STORM COLLAR



CHIMNEY CAP



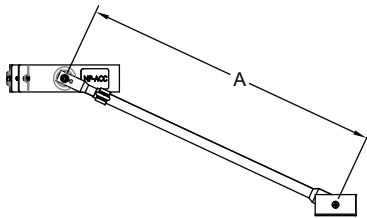
ACCESSORIES CONT'D.

ROOF BRACE KIT

- Required to stabilize chimney when 5 feet or more extends above the roof-line. Use one kit every 5 feet.
- Telescoping legs adjust from 5' to 9'
- Hardware Pack included

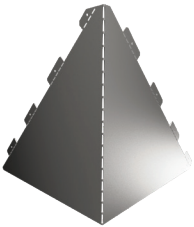


Size	Product Number	Part Number	A Length Range.		Pack
			Min.	Max.	
10"	0860410	10UP-RBK	60"	108"	10

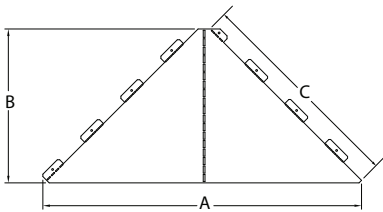


UNIVERSAL SNOW SPLITTER

- Designed to deflect snow and ice while preventing unnecessary strain or damage to chimney
- Mounts directly above chimney pipe
- Ships flat and easily assembled on the job site
- Made from heavy-duty 14 gauge galvanized steel



Product Number	Part Number	A Int.	B	C	Pack
0861100	UP-USSA	45"	21 3/4"	31"	1





BUILD FOR THE FUTURE

Our Portfolio of Brands

AirMate®	www.airmate.com
AmeriFlow®	www.ameriflowregisters.com
Amerivent®	www.ameri-vent.com
AMPCO®	www.ampcostacks.com
Builder’s Best®	www.buildersbest.com
Duravent™	www.duravent.com
Hart & Cooley®	www.hartandcooley.com
Heatfab®	www.heatfab.com
Lima®	www.limaregister.com
Milcor®	www.milcorinc.com
Portals Plus™	www.portalsplus.com
RPS™	www.rpscurbs.com
Security Chimneys®	www.securitychimneys.com
Selkirk®	www.selkirkcorp.com

Corporate Headquarters

Duravent Group
 28 W. Adams, Suite 1810
 Detroit, MI 48226
 Tel: 800.835.4429
 Email: info@duraventgroup.com
www.duraventgroup.com

Contact Us

For more information about our products or to contact us directly, please go to any of our websites and click on the Contact section on the website.

 AMERIVENT®

 SELKIRK®

duravent[™]
GROUP

BUILD FOR THE FUTURE

www.duraventgroup.com



For warranty information:
Scan this QR code or visit
www.duraventgroup.com/warranties

© 2026 Duravent Group. All rights reserved.
DVG_UP_CT-001E_01-26