

SUBMITTAL DRAWING

DATE: 05/03/05

SUBMITTED BY: _____

JOB NAME: _____

LOCATION: _____

ARCHITECT: _____

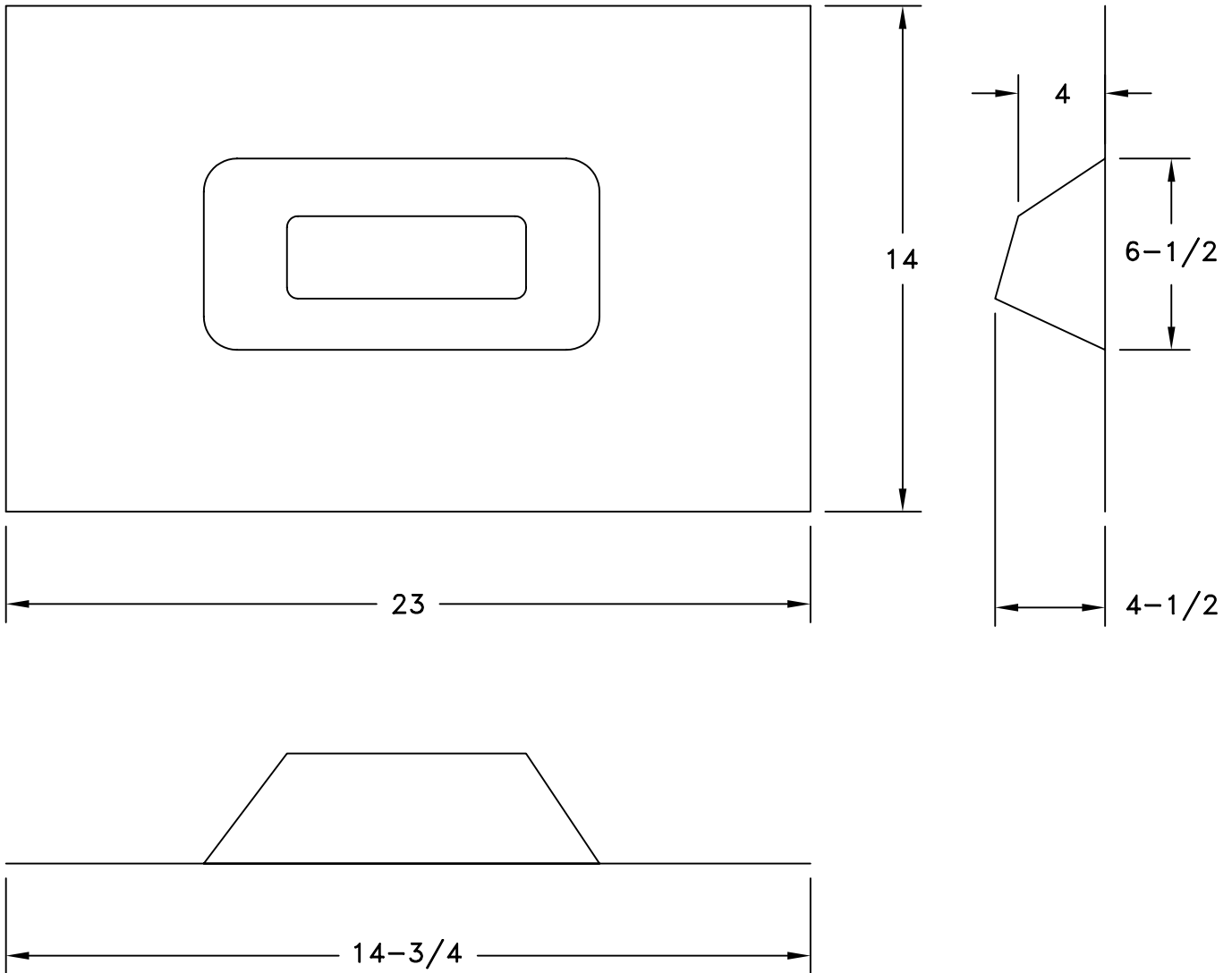
ENGINEER: _____

CONTRACTOR: _____

Type B Gas Vent

FLASHING
SIZE 4" - 6"

DRAWING #: B2-14



PART NO.	SIZE
40F	4"
50F	5"
60F	6"



• MATERIAL
.018 THICK, GALVANIZED STEEL