

SUBMITTAL DRAWING

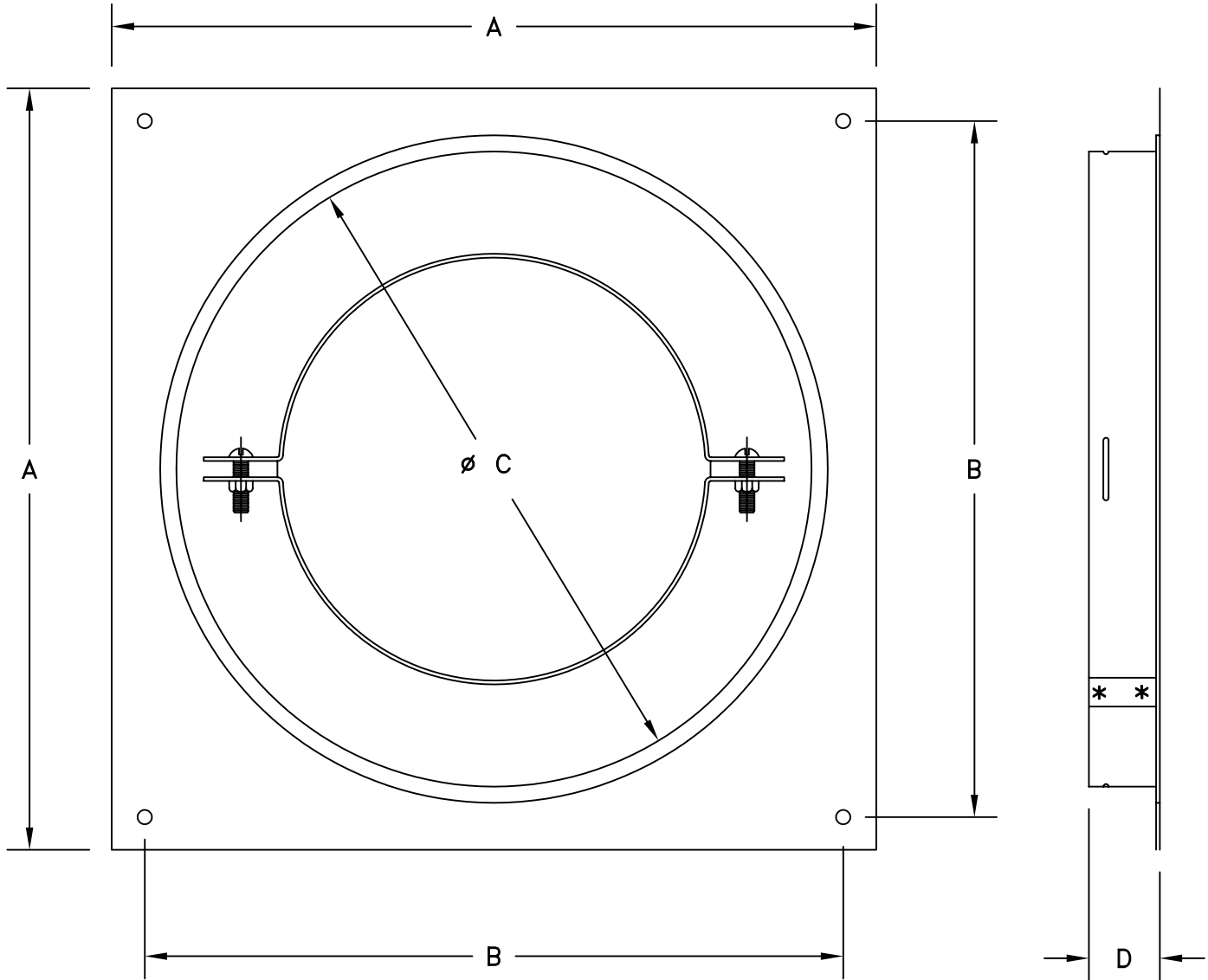
DATE: 05/03/05

SUBMITTED BY:

JOB NAME: _____
 LOCATION: _____
 ARCHITECT: _____
 ENGINEER: _____
 CONTRACTOR: _____

**Amerivent Direct Vent
 FIRESTOP SUPPORT PLATE
 4" & 5" DIAMETERS**

DRAWING #: B7-11



NOTE:

1. CAN BE USED WITH THE BLACK PAINTED FACE PLATE FOR THE INTERIOR CEILING.

PART NO.	SIZE	LENGTH A	SPACING B	Ø C	HEIGHT D
4DFSP	4"X6-5/8"	12"	11"	10"	1"
5DFSP	5"X8"	14"	13"	11"	1"



• **MATERIAL:**
 BASE PLATE: .028 THICK, GALVANIZED STEEL
 SPACER & BRACKET: .025 THICK, GALVANIZED STEEL