

SUBMITTAL DRAWING

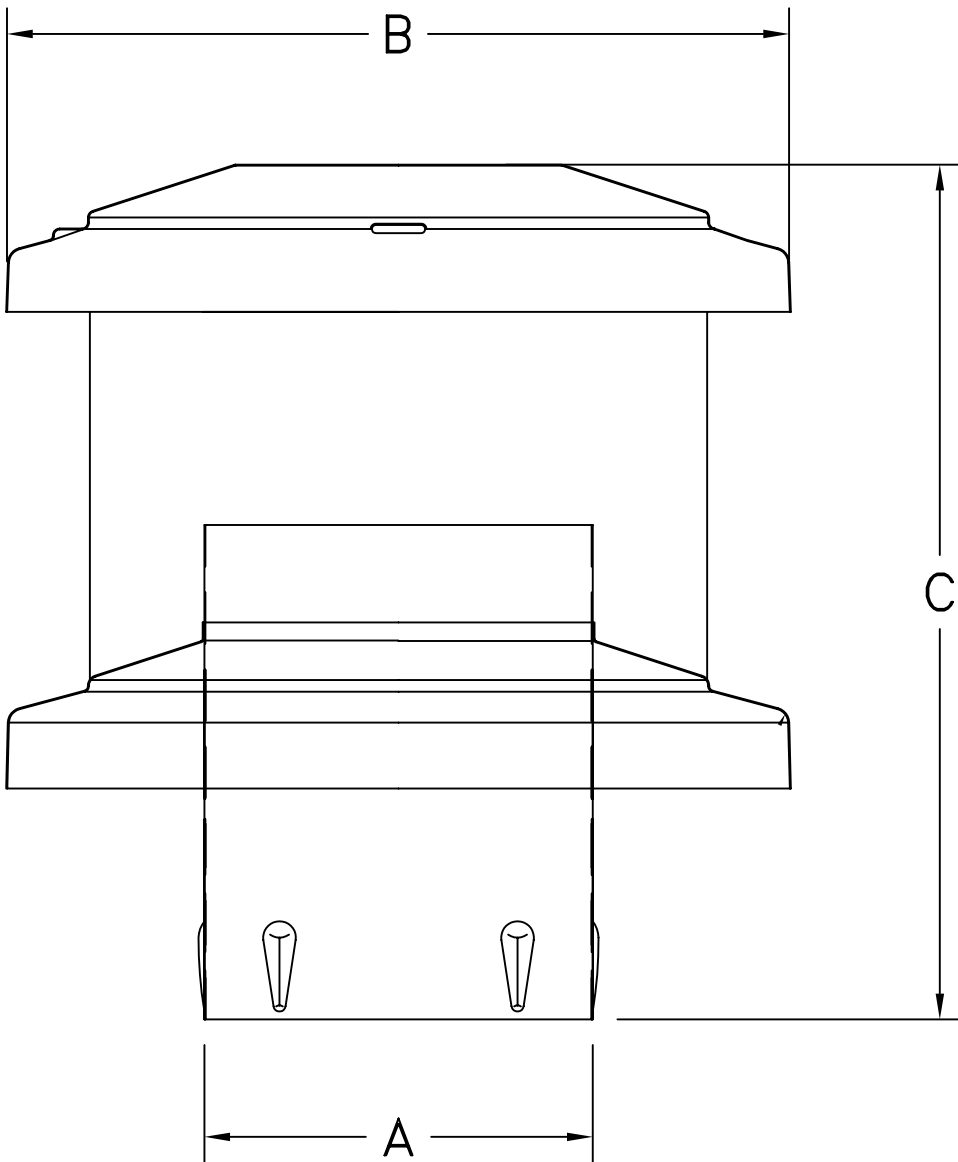
JOB NAME: _____
 LOCATION: _____
 ARCHITECT: _____
 ENGINEER: _____
 CONTRACTOR: _____

**ALL-FUEL CHIMNEY
 CAP HS-RCS**

DATE: 4/7/05

SUBMITTED BY: _____

DRAWING #: D1-10



PART #	SIZE	A	B	C
6HS-RCS	6"	6"	12"	11 1/4"
7HS-RCS	7"	7"	14"	11 1/4"
8HS-RCS	8"	8"	14"	11 1/4"
10FB-RC*	10"	10"	23 1/2"	10"

*WITHOUT SPARK ARRESTOR
 10FB-SA SPARK ARRESTOR



• MATERIAL: STAINLESS STEEL