

SUBMITTAL DRAWING

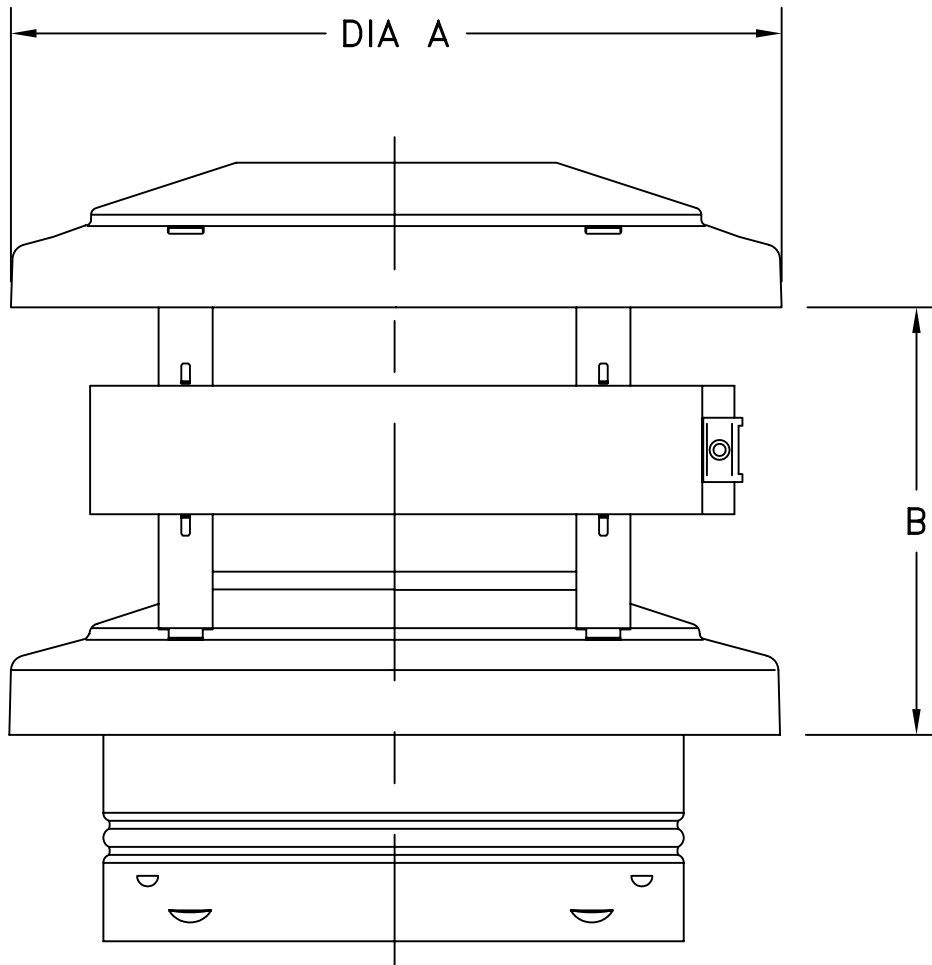
JOB NAME: _____
 LOCATION: _____
 ARCHITECT: _____
 ENGINEER: _____
 CONTRACTOR: _____

**ALL-FUEL CHIMNEY
 MULTI-PURPOSE CAP**

DATE: 05/04/05

SUBMITTED BY: _____

DRAWING #: D1-11



PART NO.	SIZE	DIA A	B
6PL-MPC	6"	12"	6"
8PL-MPC	8"	14"	6"



• MATERIAL: STAINLESS STEEL