

SUBMITTAL DRAWING

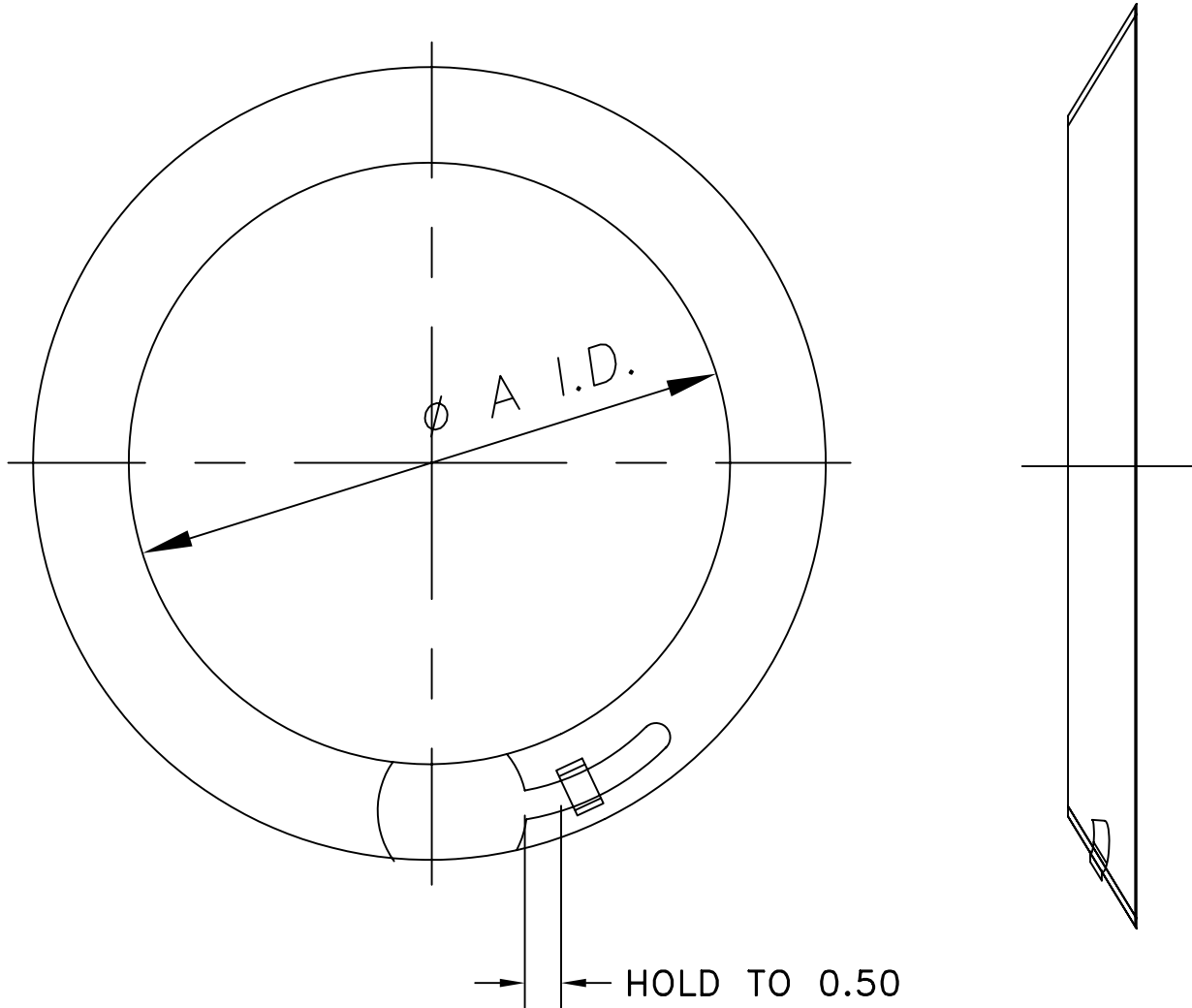
JOB NAME: _____
 LOCATION: _____
 ARCHITECT: _____
 ENGINEER: _____
 CONTRACTOR: _____

**ALL-FUEL CHIMNEY
STORM COLLAR**

DATE: 4/7/05

SUBMITTED BY: _____

DRAWING #: D1-13



PART #	SIZE	Ø A I.D.
6SC	6"	9"
8SC	8"	11"
10SC	10"	13"

• MATERIAL: 0.018 GALV.