

**SUBMITTAL DRAWING**

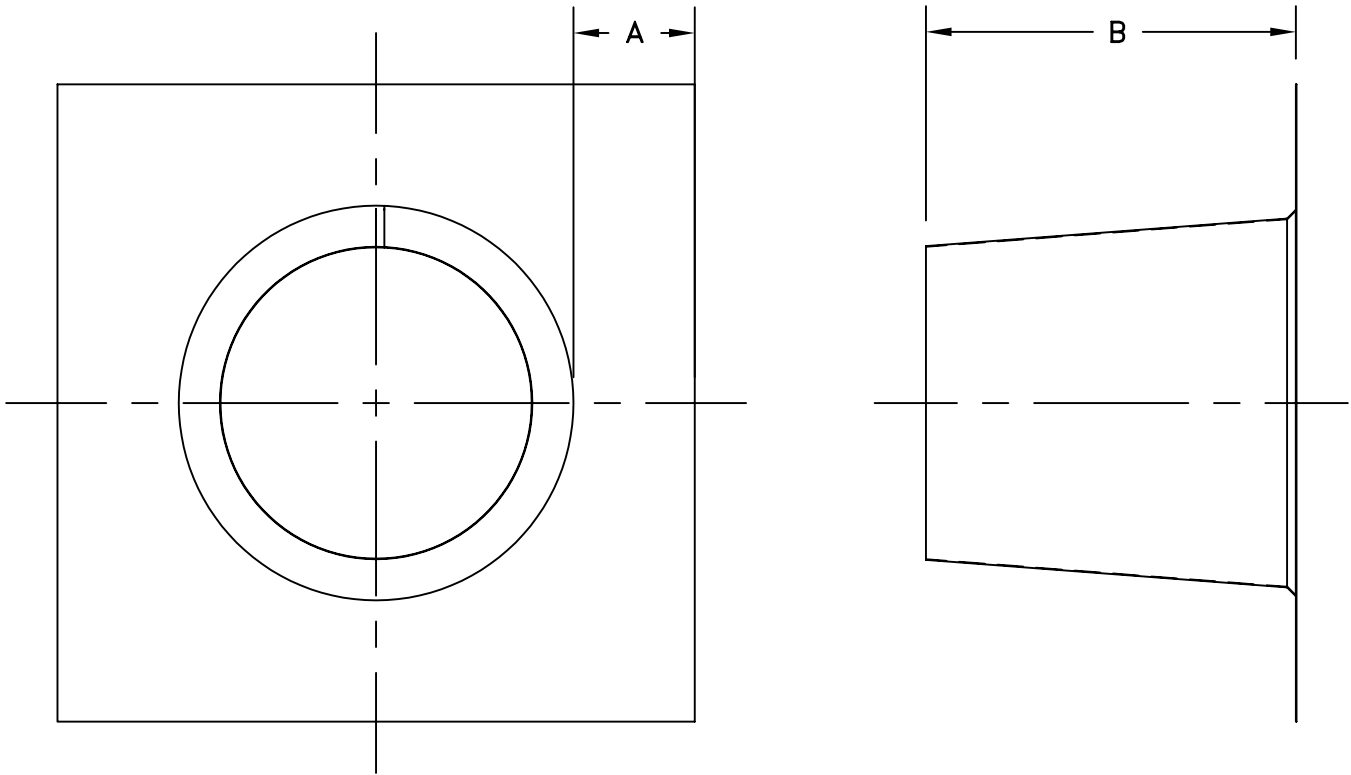
JOB NAME: \_\_\_\_\_  
 LOCATION: \_\_\_\_\_  
 ARCHITECT: \_\_\_\_\_  
 ENGINEER: \_\_\_\_\_  
 CONTRACTOR: \_\_\_\_\_

**ALL FUEL  
TALL CONE FLASHING**

DATE: 05/04/05

SUBMITTED BY: \_\_\_\_\_

DRAWING #: D1-20



PART NO.	SIZE	A	B
6FT	6"	4" ON 4 SIDES	12"
8FT	8"	4" ON 4 SIDES	12"
10FT	10"	4" ON 4 SIDES	12"



• MATERIAL: .018 GALVANIZED STEEL