

**SUBMITTAL DRAWING**

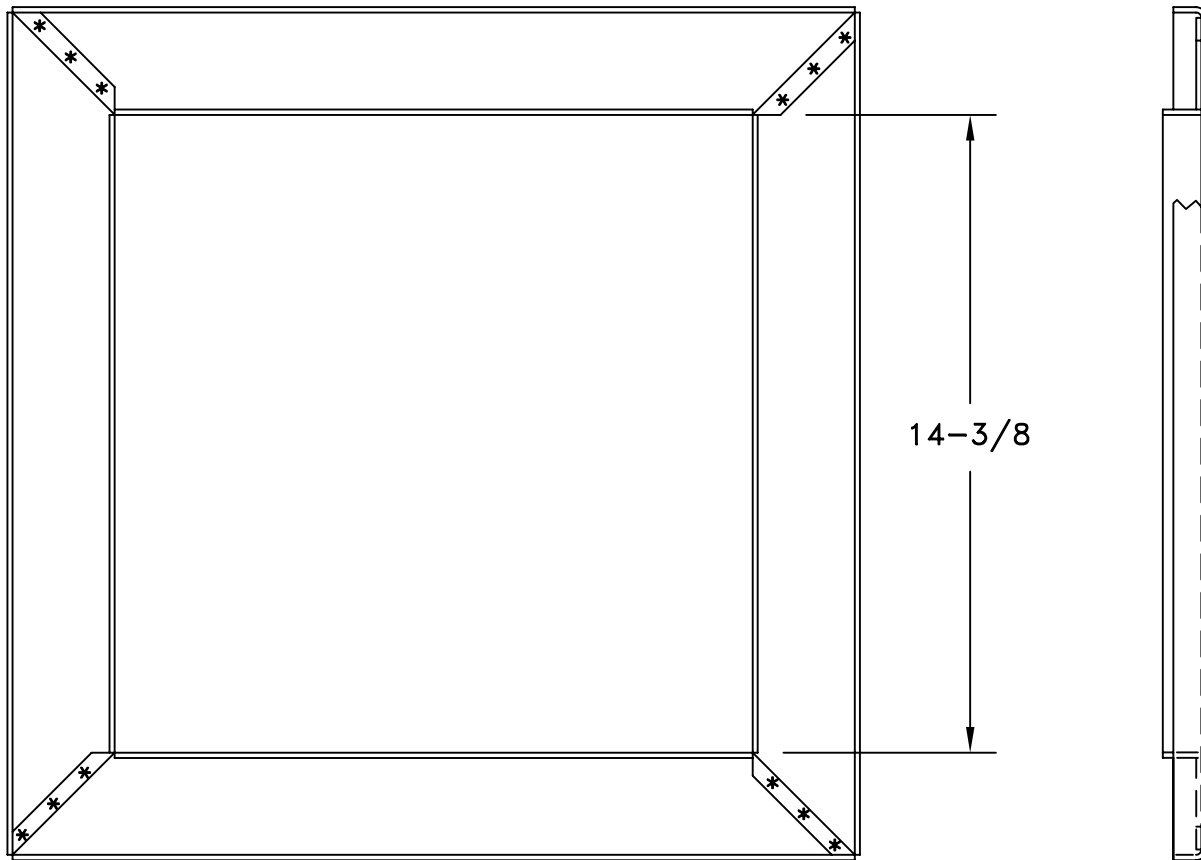
JOB NAME: \_\_\_\_\_  
 LOCATION: \_\_\_\_\_  
 ARCHITECT: \_\_\_\_\_  
 ENGINEER: \_\_\_\_\_  
 CONTRACTOR: \_\_\_\_\_

**ALL FUEL  
 CEILING SUPPORT  
 FACE PLATE**

DATE: 05/04/05

SUBMITTED BY: \_\_\_\_\_

DRAWING #: D1-24



PART NO.	SIZE
HS-CSFP	6" & 8"



• MATERIAL: 0.025 GALVANIZED